

# **HYDRAMASTER**

---

Corporation  
11015 47th Avenue W, Mukilteo, WA 98275

## **CDS 4.6/4.8 Overdrive**

Copyright© 2007  
**HYDRAMASTER**© Corporation  
Mukilteo, Washington

MAN-182-037-D

No part of this manual may be reproduced or used in any form or by any means (i.e. graphic, electronic, photocopying or electronic retrieval systems) without the express written permission of the **HYDRAMASTER**© Corporation. All rights reserved.

Revised September 06, 2007

---

# *Table of Contents*

<b>GENERAL INFORMATION .....</b>	<b>Section 1</b>
Telephone Numbers .....	1-2
Precautions .....	1-3
System Operation .....	1-7
Machine Specifications .....	1-8
Spare Parts Recommendation .....	1-11
Spare Parts List .....	1-11
Responsibilities .....	1-13
Local Water Precautions .....	1-15
Wastewater Disposal Advisory .....	1-17
Map .....	1-19
<b>CLEANING AND CHEMICALS .....</b>	<b>Section 2</b>
pH Chart .....	2-4
<b>OPERATING INSTRUCTIONS .....</b>	<b>Section 3</b>
Start Up .....	3-2
Shut Down .....	3-3
<b>FREEZE GUARD .....</b>	<b>Section 4</b>
Vacuum Freeze Guard Procedure .....	4-1
Freeze Protection of Pump-In System .....	4-3

# *Clutch Drive System*

---

<b>WATER AND CHEMICAL SYSTEM .....</b>	<b>Section 5</b>
Water Flow Diagram .....	5-3
Chemical System Troubleshooting .....	5-5
<b>HIGH PRESSURE PUMP .....</b>	<b>Section 6</b>
Pump Maintenance .....	6-1
Service .....	6-3
Cat Pump Assembly Drawing and Parts List .....	6-8
Pump Troubleshooting .....	6-11
<b>CDS MACHINE ASSEMBLIES AND PARTS .....</b>	<b>Section 7</b>
4.8 & 4.6 Assembly Drawings and Parts Lists .....	7-1
4.6 (Only) Assembly Drawings and Parts Lists .....	7-37
Front End 2003+ GMC .....	7-52
CDS Belts .....	7-66
Cleaning Wand Assembly Drawings and Parts Lists .....	7-68
<b>VACUUM SYSTEM .....</b>	<b>Section 8</b>
Lubrication Instructions .....	8-3
Blower Troubleshooting .....	8-5
Dominador Blower Instruction Booklet	
<b>ELECTRICAL SYSTEM .....</b>	<b>Section 9</b>
Wiring Schematic .....	9-2
Wiring Diagrams .....	9-5

# Clutch Drive System

---

## **ELECTRICAL SYSTEM (cont.)**

Electrical Troubleshooting ..... 9-9

## **MACHINE MAINTENANCE ..... Section 10**

### **Operational Maintenance ..... 10-2**

Daily, Weekly ..... 10-2

Monthly ..... 10-3

Quarterly, Yearly ..... 10-4

Descaling ..... 10-4

### **Overall Machine Maintenance ..... 10-5**

Daily, Weekly ..... 10-5

Long Term Maintenance Schedule ..... 10-7

Drive Shaft Maintenance ..... 10-8

Troubleshooting ..... 10-9

Maintenance Logs

## **HOW TO ORDER PARTS ..... Section 11**

## **WARRANTY INFORMATION ..... Section 12**

Golden Guarantee©

## **ACCESSORIES ..... Section 13**

## **PRODUCT UPDATES ..... Section 14**

## List of Figures

Fig 1-1	Location of Water Softener .....	1-16
Fig 1-2	Hard Water Map .....	1-19
Fig 2-1	pH Chart .....	2-4
Fig 2-2	Cleaning Stroke Procedure .....	2-4
Fig 5-1	Water Flow Diagram .....	5-3
Fig 6-1	Servicing the Valves .....	6-3
Fig 6-2	Servicing the Low Pressure and High Pressure Seals .....	6-5
Fig 6-3	Cat Pump .....	6-8
<b>Machine Assemblies and Parts:</b>		
Fig 7-1	CDS 4.8 Machine Assembly - Front View .....	7-1
Fig 7-2	CDS 4.8 Machine Assembly - Rear View .....	7-2
Fig 7-3	CDS 4.8 Recovery Tank Assembly - Rear View .....	7-4
Fig 7-4	CDS 4.8 Recovery Tank Assembly - Front View .....	7-5
Fig 7-5	CDS 4.6/4.8 Recovery Tank Cover Assembly .....	7-8
Fig 7-6	CDS 4.6/4.8 Instrument Panel Assembly .....	7-9
Fig 7-7	CDS 4.6/4.8 Instrument Panel Assembly .....	7-10
Fig 7-8	CDS 4.6/4.8 Hi-PSI Manifold Assembly .....	7-13
Fig 7-9	CDS 4.6/4.8 By-Pass Valve Assembly .....	7-15
Fig 7-10	CDS 4.6/4.8 Dual Heat Exchanger Assembly .....	7-17
Fig 7-11	CDS 4.8 Pump and Blower Assembly .....	7-19
Fig 7-12	CDS 4.6/4.8 Pump Assembly .....	7-23
Fig 7-13	CDS 4.6/4.8 Chemical Pump Assembly .....	7-25
Fig 7-14	CDS 4.6/4.8 DuraFlow APO Pump Assembly .....	7-26
Fig 7-15	CDS 4.8 Dash Assembly .....	7-27
Fig 7-16	CDS 4.8 Dash Panel Assembly .....	7-29
Fig 7-17	CDS 4.8 Water Box Assembly .....	7-31
Fig 7-18	CDS 4.6/4.8 Diffuser Filter Assembly .....	7-33

# Clutch Drive System

---

Fig 7-18	CDS 4.6/4.8 Diffuser Filter Assembly .....	7-33
Fig 7-19	CDS 4.8 Soap Jug Tray Assembly .....	7-34
Fig 7-20	CDS 4.6/4.8 Vacuum Relief Valve Assembly .....	7-35
Fig 7-21	CDS 4.6/4.8 Salsa & Silencer Assembly .....	7-36
Fig 7-22	CDS 4.6 Machine Assembly - Front View .....	7-37
Fig 7-23	CDS 4.6 Machine Assembly - Back View .....	7-38
Fig 7-24	CDS 4.6 Recovery Tank Assembly - Front View .....	7-40
Fig 7-25	CDS 4.6 Recovery Tank Assembly - Rear View .....	7-41
Fig 7-26	CDS 4.6 Pump & Blower Assembly .....	7-44
Fig 7-27	CDS 4.6 Dash Box Assembly .....	7-48
Fig 7-28	CDS 4.6 Dash Panel Assembly .....	7-50
Fig 7-29	CDS 4.6/4.8 Front End 2003+ GMC Assembly .....	7-52
Fig 7-30	Horizontal Pump In Tank Assembly - Front .....	7-54
Fig 7-31	Horizontal Pump In Tank Assembly - Rear .....	7-55
Fig 7-32	Free Standing Tray Assembly .....	7-57
Fig 7-33	85 Gallon Rotomolded Fresh Water Tank Assembly - Front .....	7-59
Fig 7-34	85 Gallon Rotomolded Fresh Water Tank Assembly - Rear .....	7-60
Fig 7-35	85 Gallon Rotomolded Fresh Water Tank w/ Reel Assembly .....	7-63
Fig 7-36	CDS Pass Through Assembly .....	7-64

## **Cleaning Wand Assembly and Parts:**

Fig 7-37	Valve Assembly .....	7-68
Fig 7-38	Solution Valve Assembly .....	7-69
Fig 7-39	Valve Stem Assembly .....	7-70
Fig 7-40	Hydra Hoe Wand Assembly .....	7-71

Fig 9-1	Wiring Schematic, CDS 4.8 .....	9-2
Fig 9-2	Wiring Schematic, CDS 4.6 .....	9-3
Fig 9-3	Wiring Diagram, Sheet 2 CDS 4.8 .....	9-5
Fig 9-4	Wiring Diagram, Sheet 3 CDS 4.8 .....	9-6
Fig 9-5	Wiring Diagram, Sheet 2 CDS 4.6 .....	9-7
Fig 9-6	Wiring Diagram, Sheet 3 CDS 4.6 .....	9-8

Fig 10-1	Drive Shaft Assembly .....	10-6
----------	----------------------------	------

---

# *Introduction*

*CDS 4.6/4.8*

*Section 1-1*

**T**his manual contains operating instructions as well as information required for proper maintenance, adjustment and repair of this unit. Since the first and most important part of repair work is the correct diagnosis of the problem, component manual troubleshooting charts have been included for your convenience.

Unlike a garden tractor, lawn mower or cement mixer, all having one or two functions to perform, the truckmounted carpet cleaning plant has many functions to perform simultaneously.

- The engine has to run at a consistent RPM.
- The vacuum has to pull air and dirty water back from cleaning site.
- The water pump must provide a stable pressure at proper water flow for cleaning.
- The chemical has to be injected into the water stream at the right concentration.
- The heating system must provide a consistent water temperature.
- The vacuum tank must store dirty water until drained.

As you can see, it is not just a turn-key operation with one thing to worry about, **Does it start?!**

◆ WARNING ◆

The manufacturer uses this symbol throughout the manual to warn of possible injury or death.

◆ CAUTION ◆

This symbol is used to warn of possible equipment damage.

◆ Notice ◆

*If you have any questions regarding the operation, maintenance, or repair of this machine. Please contact your local distributor. If your question cannot be resolved by your distributor or by the information within this manual, you may contact HydraMaster Customer Service direct using the following phone numbers.*

<b>Hours</b>	<b>Telephone Numbers</b>
Monday - Friday	(425) 775-7276 Parts
8:00 am to 5:00 pm	(425) 775-7275 Service
PACIFIC STANDARD TIME	(800) 426-4225 Parts / Service FAX



## *Precautions*

◆ CAUTION ◆

**THROUGH-FLOOR DRILLING:** Be cautious when drilling holes through the van floor. Many vans have critical components mounted directly below the van floor that could be damaged by a misplaced drill bit. (See Product Support Bulletins 92102, 94062 and 94063 at the end of the manual.)

◆ CAUTION ◆

**LEVEL OPERATION:** During operation, van must be parked on level ground not to exceed + or - 10 degrees. Failure to insure proper leveling may prevent proper internal lubrication of engine, vacuum and/or high pressure components.

◆ WARNING ◆

**MOVING PARTS:** Never touch any part of the machine that is in motion. Severe bodily injury may result.

◆ CAUTION ◆

**ACID RINSE AGENTS:** The increased demand for "clear water" rinsing results in the need for special care when using these acid based chemicals in your equipment. The negative side of these products is the corrosive effects the acid can have on metals, including swivels, pumps, heat exchangers, etc.

HydraMaster's *ClearWater Rinse* has been formulated to protect vital components. HydraMaster will not warranty parts that have been damaged from using unprotected acid products that have obviously caused failures.

◆ CAUTION ◆

**HARD WATER PROTECTION:** Failure to take appropriate measures to prevent scale build up can result in **system failure** and **loss of warranty** on affected parts. Test the water in your immediate and surrounding areas with hard water test strips. Assume all water obtained from wells is hard. If you are operating in a Hard Water Area @ 3.5 grains or more per gallon, use a water softening system.

◆ CAUTION ◆

**FREEZE PROTECTION:** There is often little warning before a cold spell. Therefore, not protecting this equipment from freezing will result in costly down-time. Placing an electric heater in the truck or parking the truck indoors will help to insure against freezing, but should not be the primary method of freeze protection.

◆ WARNING ◆

**HOT SURFACES:** During the operation of this equipment, many surfaces on the machine will become very hot. When near the van for any reason care must be taken not to touch any hot surface, such as heater, engine, exhaust, etc.

◆ WARNING ◆

**HEARING PROTECTION:** The Occupational Safety and Health Administration (OSHA) recommends the use of hearing protection when a technician is exposed to an *average* of 85 decibels (this is an average of exposure over an 8 hour period). This equipment can produce 85 decibels to a distance of 10 feet. Please check with your local state agencies to see if OSHA standards apply to your application.

◆ WARNING ◆

**NO SMOKING:** It is unsafe to smoke in or around the vehicle.

◆ WARNING ◆

**CARBON MONOXIDE:** This unit generates toxic fumes. Position the vehicle so that the fumes will be directed **away** from the job site. **Do not park** where exhaust fumes can enter a building through open doors, windows, air conditioning units or kitchen fans.

◆ WARNING ◆

**TOXIC FUMES:** Do not occupy the vehicle when the cleaning equipment is operating. Toxic fumes may accumulate inside a stationary vehicle.

◆ WARNING ◆

**ENGINE EXHAUST:** The engine exhaust from this product contains chemicals known to the State of California to cause cancer, birth defects or other reproductive harm.

◆ CAUTION ◆

The use of some chemicals through your mobile carpet cleaning plant can seriously damage the internal plumbing, high-pressure pump, chemical pump and heat exchangers. These harmful chemicals include concentrated acid (see the pH chart at the end of this section), solvents (including d-Limonene), and some paint, oil and grease removers with a high concentration of solvents.

## *System Operation*

**T**he HydraVan CDS machines are highly engineered cleaning plants designed by HydraMaster Corporation. The system utilizes the most current technology available in water heating and water recovery systems.

**The water flow is as follows:**

Water is fed into the machine under tap pressure to the water box. The water is then picked up from the water box by the high pressure pump and pumped under pressure through the heating system and then out to the cleaning tool.

After the water is applied to the carpet, it is recovered by the vacuum system and carried back to the recovery tank.

As there is no guess work in the manufacture of these highly advanced cleaning plants, there must be none in preparing it to get the job done in the field. It is the purpose of this manual to help you properly understand, maintain and service your cleaning plant. Follow the directions carefully and you will be rewarded with years of profitable, trouble-free operation.

It is imperative that no section be overlooked when preparing for operation of this equipment.

# Machine Specifications

<b>Frame:</b>	13"W x 68"L x 38"H
<b>Weight:</b>	575 lbs.
<b>Construction:</b>	Tank: Marine Aluminum with Baked-on Epoxy Finish Chassis: Painted Steel Cowling: Fiberglass
<b>Power Transfer:</b>	Electric Clutch-driven shaft, Key Activated
<b>Vacuum Blower:</b>	4.6 - 45 Tuthill/M-D Tri-Lobe 4.8 - 47 Tuthill/M-D Tri-Lobe
<b>Water Pump:</b>	CAT® 4.2 GPM Triple Plunger 4 gallons per minute
<b>Chemical System:</b>	Mechanical, Meter Controlled
<b>Heating System:</b>	Multiple Heat Exchanger (1000 PSI pressure) Dual Shell and Tube Exchangers Optional Salsa Heat Package
<b>Instruments:</b>	
Main Panel:	Electronic Tachometer, 0-3000 RPM* Water Temperature Gauge, 0-320° F Vacuum Gauge, 0-30 in Hg Hour Meter, Machine Run-Time Keyed Ignition, Start/Stop Electronic Circuit Protection Breaker, Re-settable Machine Status Indicator Lamps Chemical Flowmeter, 0-10 GPH Water Pressure Gauge, Liquid Filled, 0-1000 PSI

## Instruments (cont.) :

### Side Panel:

- Water Pressure Adjustment
- Blower Lubrication Port
- Water Temperature Adjustment Knob
- High Pressure Solution Outlets, Quick-Disconnect 2
- Fresh Water Inlet Fitting, Quick-Disconnect
- Water Box Drain Valve
- Chemical Controls

**Recovery Tank:** 120 gallon Aluminum

**Cleaning Wand:** Stainless Steel  
Replacement Grip  
Rebuildable Solution Valve

## High Pressure Hose:

1/4" High Temperature, Lined, Vinyl Covered  
Hose rated to 2200 PSI, 250° F

## Standard Equipment:

- Power Transfer Package
- Component Power Pack
- Equipment Cowling with Armrests
- Vacuum Recovery Tank
- Control Console
- Dual Wand Hook-up
- HydraMaster Heat Exchanger System
- Freeze Guard System
- Wheel Chock Set
- Carpet Wand
- 150' Solution Hose
- 150', 2" Vacuum Hose
- 10'. 1 1/2" Vacuum Hose
- 50', Fresh Water Hose
- 10', 1 1/2" Drain Line
- 5 gallon Chemical Jug
- Chemical Jug Holder
- Chemical Jug Fill Line

**Standard Equipment (cont.) :**

Van Finish Package

Van Decal Package

Monogrammed Jacket

Operation Manual

Custom Equipment Color

Oversize Air Handling Package

475 CFM High-Output Vacuum System (4.8)

Expanded Vacuum Recovery Tank Capacity

*Hushkit* Silenced System (4.8)

\*The 4.8 CDS tachometer with the mag pick up located on the power pack has been calibrated to represent the engine speed of the vehicle.

# *Spare Parts*

**D**own-time on the unit can be very expensive, because your truck-mounted unit is capable of generating several hundred dollars per day. In order to minimize such down-time, it is strongly recommended by the manufacturer that you purchase and keep in your truck the parts listed below.

## Parts Orders

**To expedite your parts needs, please call your sales representative.** In most instances, he either stocks or has access to parts through a regional service center. If further assistance is needed, contact the factory and coordinate your needs. If this becomes necessary, always indicate the method of shipment you desire, i.e. UPS, Blue Label, Air Freight, Air Express, etc.

HydraMaster Parts Dept. Phone (425) 775-7276  
HydraMaster Parts Dept. Toll Free Fax 1-800-426-4225

### **CDS Spare Parts List**

PART NO	DESCRIPTION	QTY
049-023	Screen, Garden Hose	6
052-050	Quick Connect, 440 Male	2
052-051	Quick Connect, 440 Female	2
052-052	Quick Connect, 660 Male	1
052-053	Quick Connect, 660 Female	1
076-005	Spray Jet 8006E	1
078-019	Kit, Wand Valve Plunger	1



**CDS Spare Parts List (cont.)**

---

PART NO	DESCRIPTION	QTY
078-102	Kit, Pressure By-pass Valve	1
078-270	Kit, Valve for 3CP Cat Pump	2
078-271	Kit, Seals for 3CP Cat Pump	1
157-022	Switch, Relay	1
157-040	Switch, 12 VDC Lighted	2
169-022	Valve, 1 ½" Full Port Ball	1

---

# *Responsibilities*

**P**rior to the arrival of the unit, the van that it will be installed in should be delivered to the installer.

## Purchaser's Responsibility:

It is the purchaser's responsibility to **Read the Owner's Manual** and to familiarize yourself with the information contained therein. *Special attention should be paid to all **Cautions and Warnings**.*

## Sales Representative's Responsibility:

### Acceptance of Shipment

1. If the unit shows any outward signs of damage, do not sign the delivery receipt until you have closely inspected the unit and noted any damage on the delivery receipt.
2. The salesman from whom you purchased your unit is responsible for supervising the correct installation of the unit in your vehicle and thoroughly training you in its operation, maintenance and precautions.

### Installation

- Correctly installing the unit and recovery tank in your vehicle and securing them with bolts and tie down washers.
- Checking the pump, vacuum blower and engine oil levels prior to starting the unit.
- Starting the unit to check the drive system and see that all other systems function normally.
- Checking all hoses, wands, etc. for correct operation.

**Training**

- A thorough review of the operation manual with the purchaser.
- Instruction and familiarization in:
  - how to correctly start up and shut down the unit,
  - how to correctly clean with the unit,
  - where and how often to check and change component oil levels,
  - how the unit's systems work, how to troubleshoot the unit,
  - how to do basic repairs, safety precautions and their importance,
  - freezing damage and how to avoid it,
  - hard water damage and how to avoid it.
- A thorough review of the unit warranty and warranty procedures.
- A thorough review of hard water precautions and warnings.
- How to determine hard water areas.
- Use of water softening systems.

## *Local Water Precautions*

The quality of water varies greatly. Many areas have an excess of minerals in the water which results in what is commonly called "hard water." These minerals tend to adhere to the insides of heater coils and other parts of the machines causing damage and a loss of cleaning effectiveness. This influences the reliability and efficiency of equipment in direct proportion to the level of hardness.

### **HARD WATER ADVISORY**

HydraMaster recognizes that any hard water deposits which might occur within the water system of our truckmounts is a serious problem. The precision technology of truckmount heat exchanger systems is intolerant of any foreign material. Hard water deposits will ultimately decrease the performance of the system and are expected to seriously lower the reliability of the machine.

To validate a machine's warranty, HydraMaster requires that all machines operating in designated "Hard Water Areas" (3.5 grains or more per gallon) be fitted with a water softening system or a properly installed magnetic-type de-scaler must be used and maintained. Periodic de-scaling or acid-rinsing alone is *not* adequate in these areas. HydraMaster does not recommend any particular type or brand, however the relative effectiveness of some types of magnetic de-scalers or softeners may require additional periodic use of de-scaling agents.

HydraMaster also recommends, in the strongest possible terms, that machines in *all areas* be fitted with a water softening system for improved operation and reliability.

**HydraMaster has included five hard water test strips with your machine.** These can be used to test the water in your immediate and surrounding areas as they can vary greatly. Assume all water obtained from wells is hard.

**◆ CAUTION ◆**

Failure to take appropriate measures to prevent scale build up can result in **system failure** and **loss of warranty** on affected parts.

**HARD WATER AREA MAP**

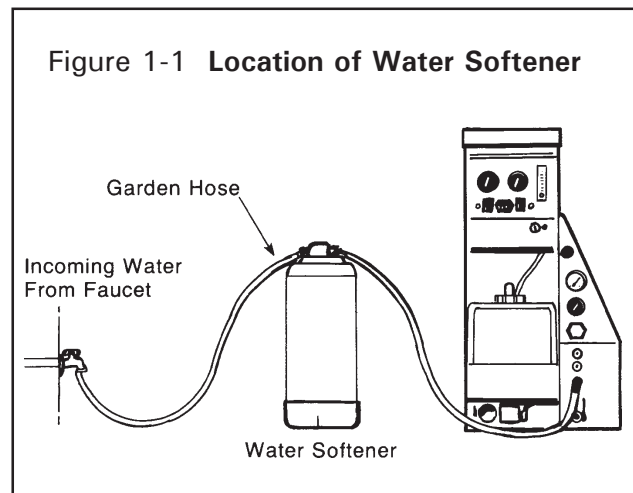
The following map defines areas in the United States which compromise fluid related components such as hoses, fittings, heaters, pumps, valves and water cooled engines. For other countries, hard water area maps can be obtained from geological societies.

**WATER SOFTENER**

Cleaning efficiency and equipment life is increased, chemical use decreased, and the appearance of cleaned carpets enhanced when water softeners are incorporated in hard water areas. The manufacturer strongly urges the use of water softener units in areas exceeding 3 grains per gallon. Failure to use a water softener in these areas will invalidate the machine's warranty. Using a hard water area map as a reference, determine the quality of water in your area and take action immediately, if necessary.

Reports from several of our machine users commending the results of the use of water softeners in conjunction with their machines prompts us to recommend the procedure to everyone in a "hard water" area.

The relatively low cost of a water softener service is more than made up for by an increased life of machine parts, reduced chemical costs and continued cleaning efficiency. The water softener



will also increase the *effectiveness* of the cleaning chemicals, therefore less chemical will be needed.

Contact a water softener distributor in your area for information on the rental of a simple water treatment unit to carry in your truck. Be sure to change the water softener in accordance with the capability of the softener.

For example: If the softener will treat 900 gallons of water and the machine uses an average of 30 gallons per hour, for an average of 5 hours a day, this equals 150 gallons per day. In 6 days the machine would use 900 gallons of water. Therefore, the softener would need to be changed every 6 working days for maximum softening.

## **WASTE WATER DISPOSAL ADVISORY**

There are laws in most communities prohibiting the dumping of recovered "gray" water from carpet cleaning in any place but a sanitary treatment system.

This cleaning rinse water, recovered into your unit's vacuum tank, contains materials such as detergents. These must be processed before being safe for streams, rivers and reservoirs.

## **IN ACCORDANCE WITH THE EPA, STATE AND LOCAL LAWS, DO NOT DISPOSE OF WASTE WATER INTO GUTTERS, STORM DRAINS, STREAMS, RESERVOIRS, ETC.**

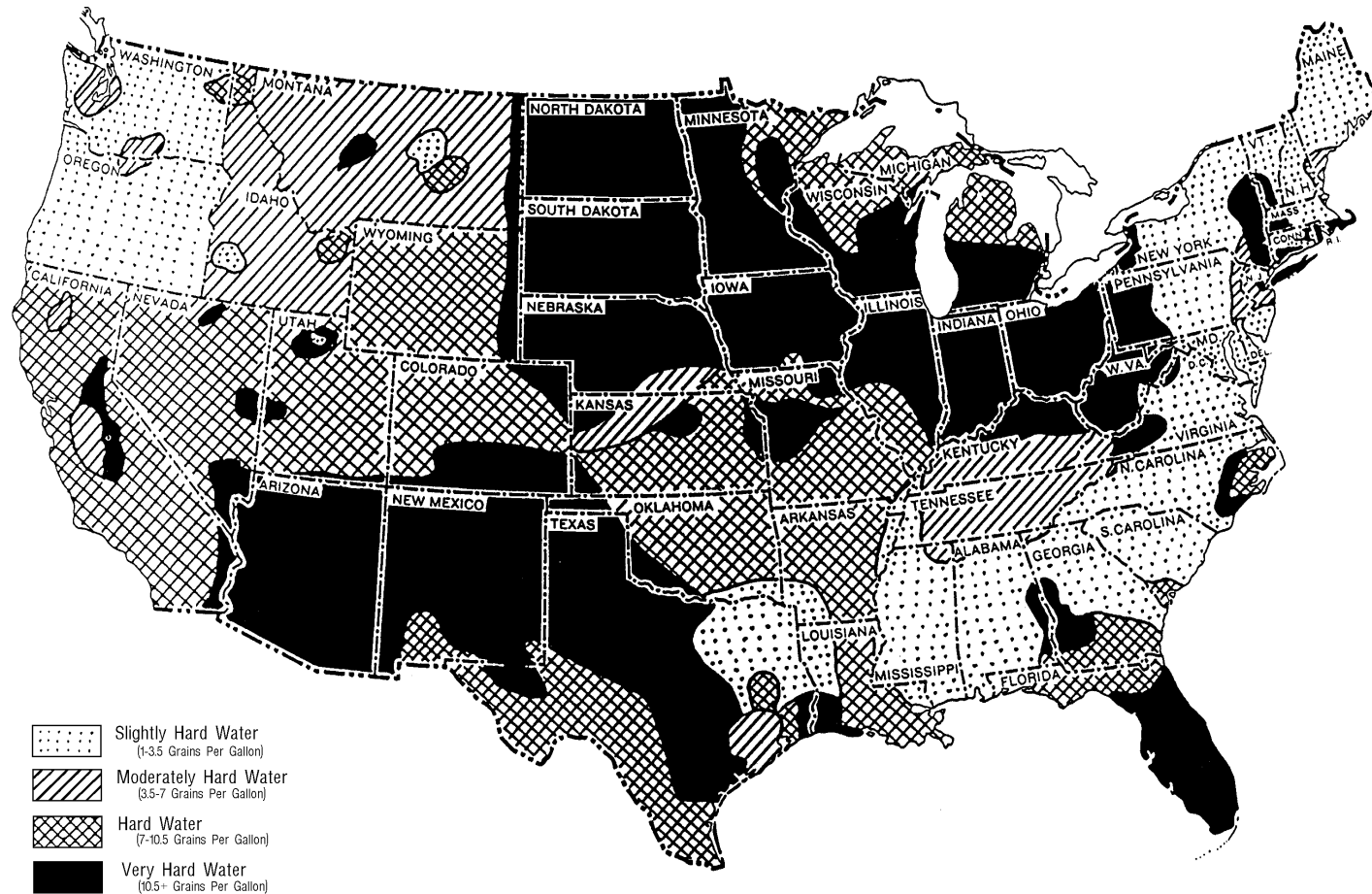
In most cases, an acceptable method of waste water disposal is to discharge into a municipal sewage treatment system after first filtering out solid material such as carpet fiber. Access to the sanitary system can be obtained through a toilet, laundry drain, RV dump, etc. Permission should first be obtained from any concerned party or agency.

One disposal method which usually complies with the law is to accumulate the waste water and haul it to an appropriate dump site. Another solution to the disposal problem is to equip yourself with an Automatic Pump-Out System. These systems are designed to remove waste water from the extractor's recovery system and actively pump the water through hoses to a suitable disposal drain.

Properly designed, they will continuously monitor the level of waste water and pump it out simultaneously to the cleaning operation. The hidden benefit of this process is that the technician does not have to stop his cleaning to empty the recovery tank. HydraMaster makes an A.P.O. System available which can be ordered with new equipment or installed later.

The penalties for non-compliance can be serious. Always check local laws and regulations to be sure you are in compliance.

Figure 1-2 Hard Water Map



Source: Water Treatment Fundamentals, Water Quality Association, 1996.



---

# *Cleaning and Chemicals*

*CDS 4.6/4.8*

*Section 2-1*

**Y**our mobile carpet cleaning plant has been engineered using the latest and most sophisticated technology available to produce the finest carpet cleaning results possible. Despite this, however, it remains only a tool of the carpet cleaning trade, and it can produce only as good a job as the person operating it.

◆ CAUTION ◆

The use of some chemicals through your mobile carpet cleaning plant can seriously damage the internal plumbing, high-pressure pump, chemical pump and heat exchangers. These harmful chemicals include concentrated acid (see the pH chart at the end of this section), solvents (including d-Limonene), and some paint, oil and grease removers with a high concentration of solvents.

## **PRECAUTIONS**

There are no short cuts to good carpet cleaning. It requires time, cleaning knowledge and the use of good chemicals. Therefore, the manufacturer recommends the use of spotting agents and traffic lane cleaners, as required, prior to the actual cleaning of carpeting.

The use of some chemicals through your mobile carpet cleaning plant can seriously damage the internal plumbing, high pressure pump and heater. These harmful chemicals include concentrated acid (see the pH chart at the end of this section), solvents, and some paint, oil, and grease removers with a high concentration of solvents.

The manufacturer recommends only the use of chemicals containing rust and corrosion inhibitors and water softening agents to prevent chemical build-up which may lead to component failure and warranty invalidation.

◆ CAUTION ◆

The increased demand for “clear water” rinsing results in the need for special care when using these acid based chemicals in your equipment. The negative side of these products is the corrosive effects the acid can have on metals, including swivels, pumps, heat exchangers, etc.

HydraMaster’s ***ClearWater Rinse*** has been formulated to protect vital components. HydraMaster will not warranty parts that have been damaged from using unprotected acid products that have obviously caused failures.

The use of detergents and chemicals which create foam when agitated should be avoided. Foam passing through the blower could lead to serious problems. HydraMaster and SafeClean chemicals are formulated with built in anti-foaming agents. When cleaning surfaces with excessive foaming residue use HydraMaster Powder Defoam as directed.

## CLEANING STROKE PROCEDURE

### Purpose:

To eliminate excess moisture remaining in the carpet fiber and the sawtooth appearance which results from diagonal movement of the cleaning tool on all types of carpet.

## Procedure:

Always move the cleaning tool in smooth, forward and backward strokes. Apply slight pressure to the forward stroke while the solution is injected into the carpet. When extracting (drying), apply firm pressure on the forward stroke to ensure a positive "lock" for the vacuum and minimize the "hopping" effect resulting on carpet that is not smooth. During the forward and reverse strokes, movement to the right or left should only be accomplished at the extreme rear of the stroke. Overlapping is also important to ensure even application of solution and prevent saturation when cleaning wand is stopped twice at the same point at the rear of the cleaning stroke. This is illustrated at the end of this section.

Failure to adopt this procedure can result in increased chance of "clean streaks," fiber shrinkage, brown-out and longer drying periods.

## **OVER-WETTING**

Over-wetting is annoying to all concerned, and sometimes leaves a bad impression of the cleaning process used.

### **These are Several Areas That Will Cause Over-wetting**

1. Too few vacuum strokes or improper saw-tooth vacuum strokes as shown in the following illustration.
2. Obstructed, cut or kinked hoses.
3. Vacuum tank drain valve left partially open.
4. Clogged vacuum blower filter or vacuum tank lid not sealing properly.
5. Cleaning a heavily foam-saturated carpet without defoamer.

Figure 2-1: pH Chart

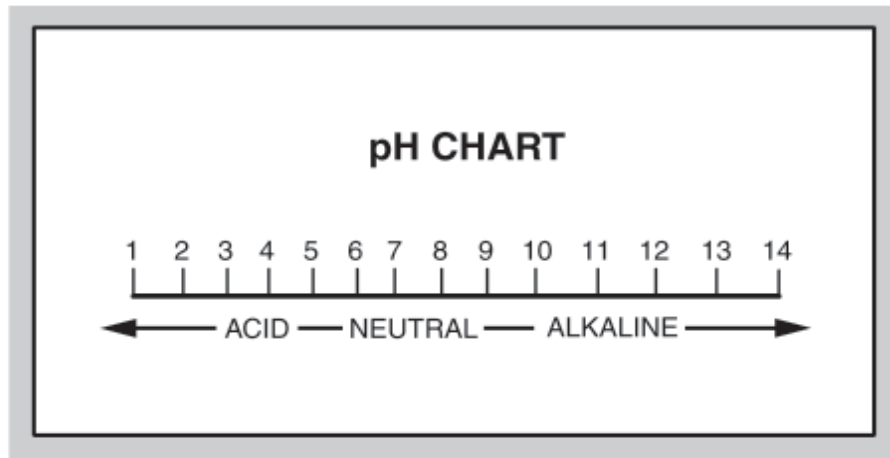
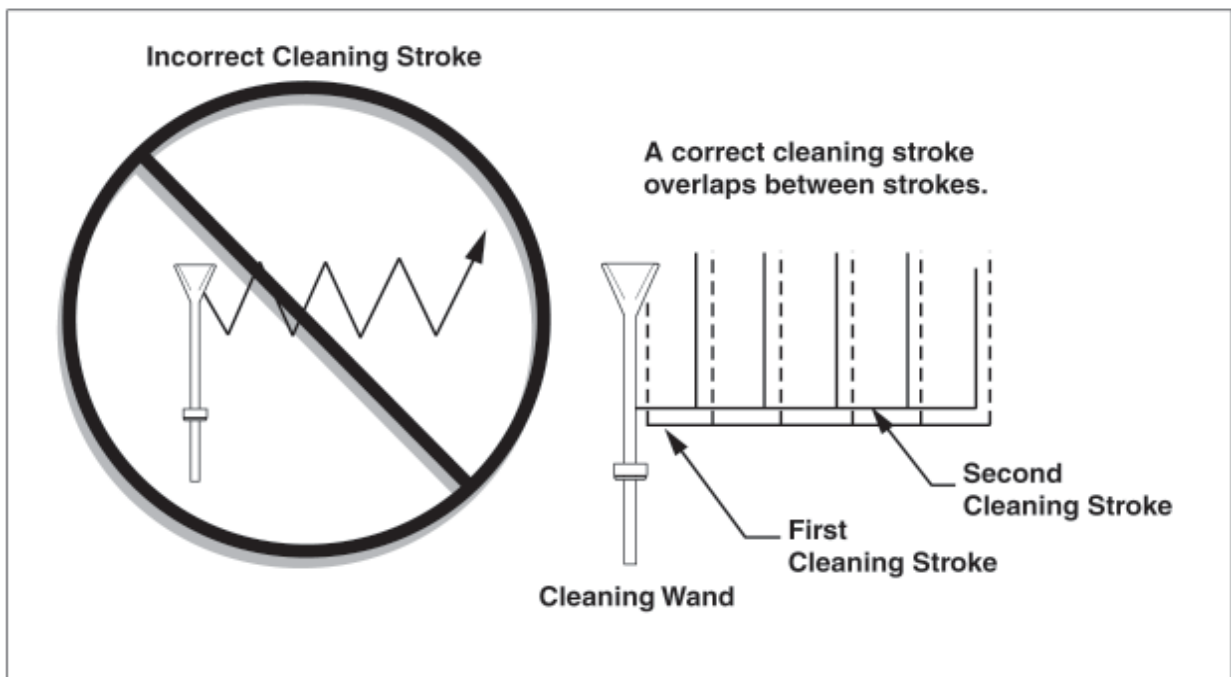


Figure 2-2: Cleaning Stroke Procedure



---

# Operating Instructions

CDS 4.6/4.8  
Section 3-1

## BEFORE OPERATING THE UNIT

1. Operate the unit and equipment only in a well ventilated area.

◆ CAUTION ◆

Exhaust fumes contain carbon monoxide and may be hazardous to your health. *Do not operate* this truck where the exhaust may enter any building doorway, window, vent, or opening of any kind.

2. Check the fuel tank to be certain there is adequate fuel to complete the job.
3. Position the wheel chocks on one of the front tires.
4. If using a water supply hose which has not been used recently or if using a customer's hose, *first* connect the hose to the faucet and flush out any debris which may be in the hose. *Afterwards* connect the hose to the unit.
5. Check your chemical jug to see if you have enough concentrated chemical to finish the job. If not, mix and fill a five gallon chemical jug.
6. Connect all required hoses.
7. When connecting the pressure hose to the pressure outlet connections at the front of the unit, go to the farthest area to be cleaned and connect to the cleaning tool. This insures that you have the proper length of hose required to perform the cleaning.

## START UP

1. Make sure the van gear select lever is in the Park position and the emergency brake is set.
2. Start the van engine.
3. Turn key on CDS Dash. The RPM will automatically increase to the proper running speed. Engine RPM should be as noted in the Maintenance Section.  
**Note:** *The 4.8 CDS with the tachometer mag pick up located on the power pack has been calibrated to represent the engine speed of the vehicle.*
4. Turn on the Pump clutch switch
5. Turn on the Pump in switch
6. Turn the heat control valve to "Max" only if you will be using water. **Do not activate the heat exchanger during flood extration work.**
7. Turn the chemical selector valve to the "PRIME" position to purge any air from the system.  
**Note:** The prime hose is plumbed into the recovery tank. Leaving the valve in the "PRIME" position will cause excessive chemical usage.
  - a. When the chemical begins to flow through the flowmeter, with the flow indicator reading maximum flow and the PRIME line pulsing, turn the chemical selector valve to "ON". Cap off vacuum if necessary.
  - b. While spraying the solution from the cleaning tool, adjust the chemical flow by turning the chemical adjustment knob to the desired level.
8. Turn the APO switch 'ON' if using the auto pump-out feature.  
**NOTE:** The pump will not engage until the water level rises inside the waste tank.
9. Now proceed with the cleaning operation.

**NOTE:** The machine will automatically shut down when it reaches its full capacity due to the float switch located inside the waste tank. When this occurs, turn the switch off and empty the waste tank. Then turn the unit back on and continue to clean.

## FLOOD DAMAGE WORK

When using equipment for flood damage, turn off the high pressure pump. This will reduce the engine power load and save on fuel consumption. Also, de-activate the heat exchangers to help prevent engine overheat problems.

## SHUT DOWN

1. Flush clear water through the chemical system for 10 seconds.  
**Note:** If freeze guarding is necessary, perform the freeze guard procedure at this time. Draining the water box to  $\frac{1}{2}$  full or less is recommended to reduce spillage inside the vehicle.
2. Open the mix tank drain and actuate the wand valve to run fresh water through the water box, heat exchangers and cleaning tools.  
**NOTE:** Vinegar should be rinsed through the system weekly. De-scaler should be rinsed through the entire system monthly.
3. Lay vacuum hoses out in order for all moisture to be removed from the hoses. This prevents spillage of any dirty solution in your vehicle when storing the hoses.
4. Disconnect the hoses and put them away.
5. If you are using an outside water source, turn the water supply faucet off. Bleed pressure out of the supply hose by loosening the hose at the water supply. Unhook the water supply hose and store it in the vehicle

6. Allow the unit to run for a few minutes with the vacuum hose disconnected in order to remove all moisture from the vacuum pump. Next plug the vacuum inlets. Spray lubricant into the lube port located on the front panel above the pressure gauge while the unit is running.

Spray for about 5 to 10 seconds. This will lubricate the vacuum pump and prevent it from rusting.

7. Remove the inlet plugs, then turn the machine off.
8. Before draining, it is recommended that the heat control knob be moved to the 'OFF' position. This will help to avoid potential engine overheat problems due to reduced coolant flow through the radiator.
9. Drain the waste tank. Do not dump waste in any area which might violate local, state or federal law. The pump-out system may be used to drain the waste tank into a sanitary drain system. When the waste tank is drained, lift waste tank lid and remove the filter screens. Clean out any accumulated debris. Rinse. Re-install.



---

# *Freeze Guard*

*CDS 4.6/4.8*

*Section 4-1*

**A**ny freezing of this machine is not covered by warranty and during the colder months of operation, careful protection should be of utmost concern.

The following precautions are recommended prior to and during cleaning:

1. Run the machine before leaving for the first job to insure nothing has frozen the night before, including hoses and wand.
2. Insulate the garden hose from the cold ground by running it through an extra 1 ½ inch vacuum hose.
3. Leave truck doors closed until time cleaning begins, afterwards open slightly.
4. In colder climates, insulating the truck walls and floor boards will help protect the unit.
5. Do not procrastinate during the cleaning operation or the hot water solution line will also freeze on the ground. The solution line should be insulated in extremely cold climates.
6. Whenever possible, the truck should be stored in a heated garage at night or over the weekend. If not possible, place a 1500 watt electric heater inside the truck, aimed directly at the machine. Never use a propane heater. It causes excessive moisture on the truck ceiling and the possibility of it going out is higher. If the machine and truck are left outside with a heater, you should drain water from the machine cleaning tools and hoses. (They freeze also.)

## **To Drain the Machine, Follow These Steps:**

- A. Before shutting off the machine, remove the chemical line from the chemical jug and place in a mixture of 50/50 antifreeze and water. Turn the chemical control valve to the "PRIME" position until coolant registers in the flow meter. With the cleaning tool on, allow mixture to fill the remainder of the chemical system.
- B. Open the water box drain valve and allow the water to drain thoroughly from the water box.

**To Drain the Machine, Follow These Steps (cont.):**

- C. (If equipped) Turn the heat exchanger valve to "SALSA SYSTEM"
- D. Close the water box drain and fill the mix tank with 50/50 antifreeze and water mixture. Run the unit for 1 minute to circulate the mixture through the machines low-pressure hoses. Spray through the wand or other tool into a suitable container until the mix tank shut-off switch activates (pump stops). This freeze guards the high-pressure circuit
- E. Open the water box drain and drain out the residual fluid into a suitable container. This antifreeze solution may be retained for reuse (attach freeze guard fitting to inlet quick connect and vacuum water out of the inlet line).

◆ CAUTION ◆

**One manufacturer of antifreeze cautions:**

"WHEN DISPOSING OF USED ANTIFREEZE COOLANT: Follow local laws and regulations. If required, dispose at facilities licensed to accept household hazardous waste. If permitted, dispose in sanitary sewer systems. Do not discard into storm sewers, septic systems, or onto the ground."

◆ WARNING ◆

**This warning appears on the label of one brand of antifreeze:**

"HARMFUL OR FATAL IF SWALLOWED. Do not drink antifreeze coolant or solution. If swallowed, induce vomiting immediately. Call a physician. Contains Ethylene Glycol which caused birth defects in animal studies. Do not store in open or unlabeled containers.

"KEEP OUT OF REACH OF CHILDREN AND ANIMALS."

*BE SURE YOUR MACHINE IS PROTECTED! Freezing will cause GRIEF, LOST MONEY, and DOWN-TIME.*

## **FREEZE PROTECTION OF THE PUMP-IN SYSTEM**

1. Drain the fresh water tank.
2. Remove the garden hose adapter from the pump-in pump hose and position the hose so it is pointing outside the van.
3. Turn on the pump-in pump and run for 1-2 minutes till all the water is purged from the hose.

**NOTE:** The next time the unit is used it may take a few minutes before the water box begins to fill.

---

# *Water and Chemical System*

*CDS 4.6/4.8*

*Section 5-1*

This high pressure chemical system has been designed to be simple and trouble free.

## **WATER AND CHEMICAL FLOW OPERATION**

The chemical pump draws the chemical from the inlet filter which is in the chemical container. It flows through the flow meter indicating the GPH's of chemical being used. The chemical then flows through the chemical pump to the chemical selector valve. The chemical valve can be used to prime the pump (evacuate air from the system), inject chemical into the system or turn the chemical flow off. In the "ON" position, chemical flows through the metering valve, and is injected into the heated water path just prior to its leaving the machine.

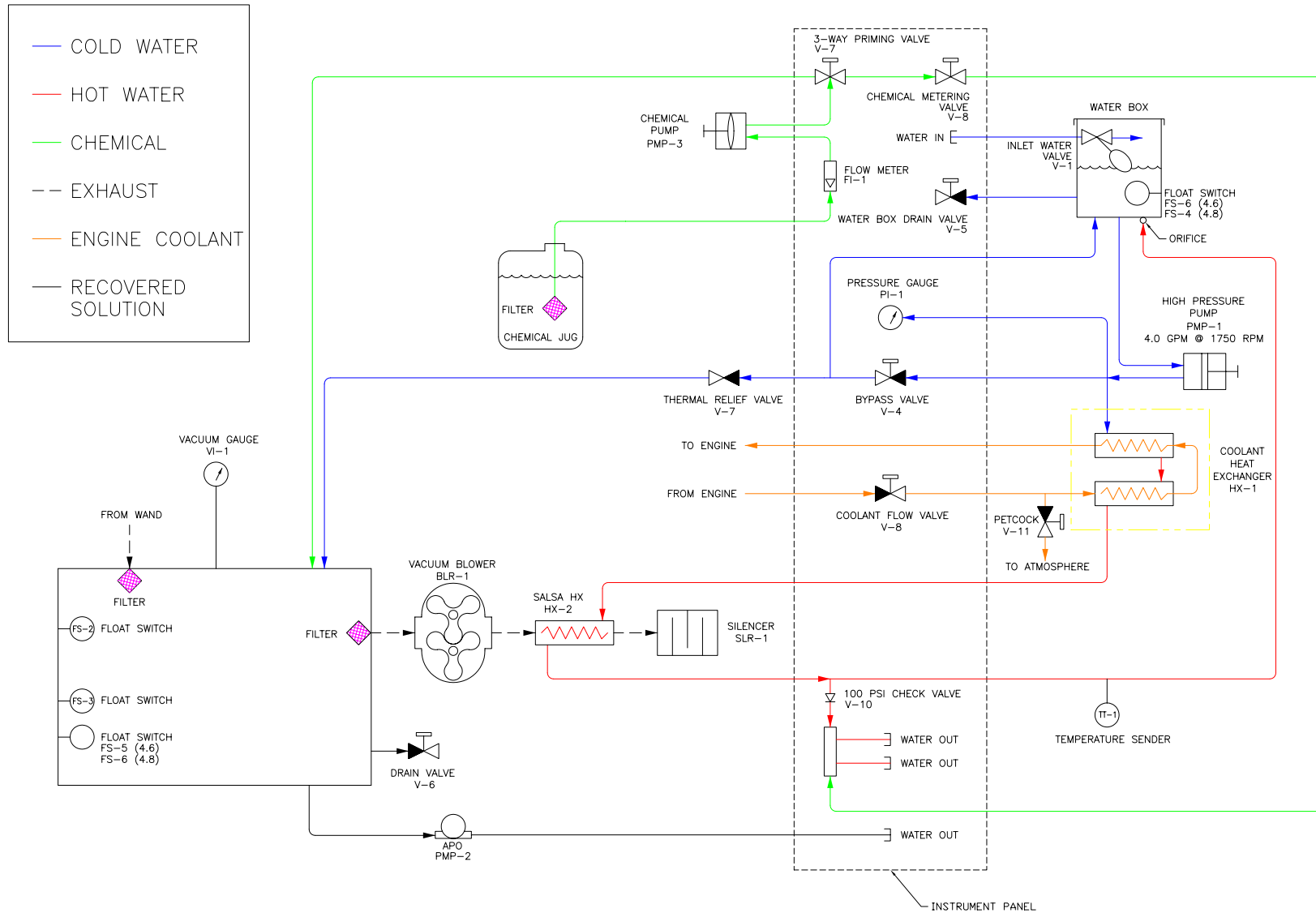
The low water float switch in the water box is a safety switch that is designed to protect your system from sudden or unexpected loss of water supply. If, for example, the water source at the house were turned off, the water level of the water box would drop, activating the low water float switch, which automatically disengages the system and prevents the water pump from running dry.

The desired chemical injection ratio may be obtained by an adjustment of the chemical metering valve during the spraying of water through the cleaning tool.

**CHEMICAL SYSTEM MAINTENANCE**

The chemical lines may need to be flushed with vinegar periodically to prevent abnormal chemical build-up. This flushing may be done by removing the clear plastic hose from the Chemical Jug and inserting it into a one quart container of vinegar. This should be done with the Chemical Flowmeter setting 10 GPH. Simply spray water from the wand until the quart of vinegar is exhausted. Then repeat the process with one quart of clear water to void all lines of vinegar.

Figure 5-1 Solution Flow Diagram  
D-4002 Rev D



# Chemical System Troubleshooting

## 1.0. System will not prime

1.1. **Check valves in chemical pump are faulty.** Remove valves and inspect. Clean or replace as necessary.

1.2. **Chemical pump diaphragm is faulty.** Remove and inspect. Replace as necessary.

1.3. **Check valve in high pressure pump (the one that the chemical pump attaches to) is faulty.** Remove valve and inspect. Clean or replace as necessary.

1.4. **Filter on feed line in chemical jug is clogged.** Inspect and clean.

1.5. **Feed line from chemical jug is loose, pinched or cut.** Inspect and repair.

1.6. **Three-way prime valve is faulty.** Check valve for leaks between ports. Replace as necessary. *Note: if the chemical system has been run dry, it is frequently necessary to insert the prime hose from the chemical jug into the vacuum inlet for a "boost" to purge all of the air from the system. Machines produced after April, 2001 will have the prime hose connected directly to the vacuum system.*

## 2.0. Chemical flow is unstable or low

2.1. **Air in lines.** Check that all fittings and connections are tight and in good condition. Repair or replace as necessary.

2.2. **Filter screen in chemical jug is partially clogged.** Inspect and clean.

2.3. **Three-way chemical valve is faulty.** Inspect valve for leaks between ports. Replace as necessary.

**2.4. Chemical metering valve is faulty or partially obstructed.** Inspect valve and clean or replace as necessary.

**2.5. High pressure check valve is faulty.** Remove and inspect. Clean or replace as necessary.

### **3.0. Solution jug fills with water**

**3.1. Three-way chemical valve is defective.** Inspect valve for leaks between ports. Replace as necessary.

**3.2. Inlet check valve in chemical pump is faulty.** Remove and inspect valve. Clean or replace as necessary.

### **4.0. Chemical in water box**

**4.1. Chemical pump diaphragm is faulty.** Remove and inspect. Replace as necessary.

**4.2. High-pressure check valve is faulty.** Remove and inspect. Clean or replace as necessary.



---

# *Pump Maintenance*

*CDS 4.6/4.8*

*Section 6-1*

## **DAILY:**

1. Check the oil level and the condition of the oil. The oil level should be up to the center of the sight glass on the back of the pump.

Use a 30 weight, non-detergent oil.

◆ CAUTION ◆

If the oil becomes discolored and contaminated, one of the oil seals may be damaged. Refer to the Service Section.

Do not operate the pump if the crankcase has been contaminated with water.

◆ CAUTION ◆

**Do not leave contaminated oil in the pump housing or leave the housing empty. Remove contaminated oil as soon as it is discovered and replace it with clean oil.**

## **PERIODICALLY:**

1. Change the oil after the first 100 hours of operation, and every 400 operating hours thereafter. When changing, remove the drain plug on the oil drain hose so all oil and accumulated sediment will drain out.

◆ CAUTION ◆

Do not turn the drive shaft while the oil reservoir is empty.

◆ CAUTION ◆

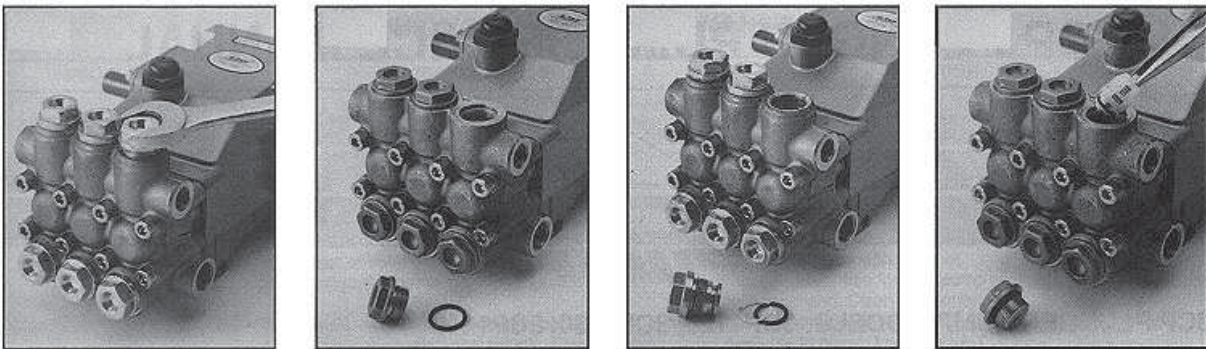
Protect the pump from freezing.

## Pump Service

The next few pages explain how to disassemble and inspect all easily serviceable parts of the pump.

◆ CAUTION ◆

Do not disassemble the hydraulic end unless you are a skilled mechanic. For assistance, contact HydraMaster (425-775-7275) or the distributor in your area.



### 1. Servicing the Valves (See illustrations above.)

- A. Remove the hex valve plugs (top—discharge, bottom—inlet).
- B. Unthread the valve plug and examine the o-ring under the plug for cuts or distortion. Replace it if it is worn. Lubricate new o-rings before installing.
- C. Grasp the valve retainer by the tab at the top with needle-nose pliers, then remove the o-ring at the bottom of the valve chamber.
- D. Inspect all valve parts for pitting, gouges, or wear. If wear is excessive, replace valve assembly.

1. Servicing the Valves (cont.)

E. Reinstall valve assemblies:

1. Using a clean towel, clean the valve chamber.
2. Install the o-ring into the high pressure manifold.
3. Install the valve assemblies into the high pressure manifold (the metal side of the valve faces the manifold).
4. Replace the O-ring on the hex valve plug.
5. Torque the plug to 72 foot pounds.

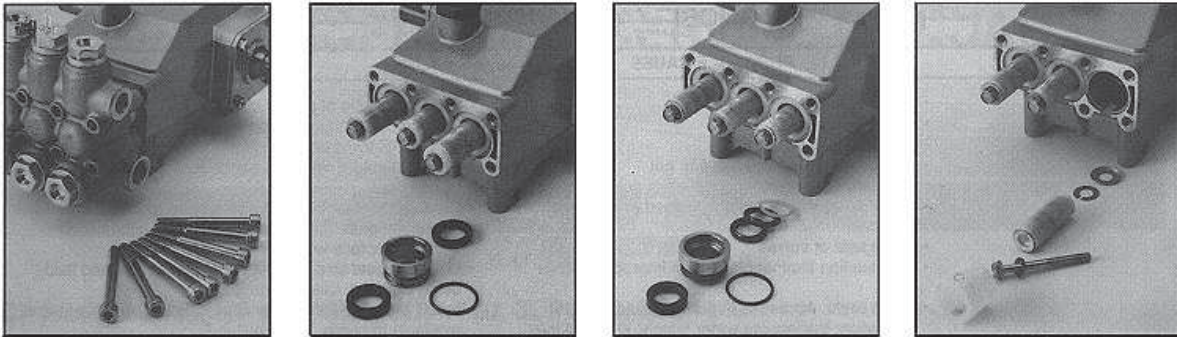
2. Removing the High Pressure Manifold

- A. Using an M6 allen wrench, remove all eight of the socket head bolts.
- B. Rotate the crankshaft by hand to start separation of the manifold head from the crankshaft.
- C. Insert two flat-head screwdrivers on opposite sides to further separate the manifold from the crankshaft.

◆ CAUTION ◆

To avoid damage to either plunger or seal, keep the manifold properly aligned with the ceramic plungers when removing it.

- D. Remove the seal retainer from the manifold and inspect for wear.
- E. Examine the ceramic plunger for cracks or scoring (refer to Servicing the Plungers for replacement).



### 3. Servicing the Low Pressure Seals and High Pressure Seals

(See illustrations above.)

- A. Remove the low pressure seal from the seal retainer using a 90 degree pick tool.
- B. Remove the high pressure seal from the manifold.
- C. Inspect the low pressure seal and high pressure seal for wear and replace if necessary.
- D. Reinstall the low pressure seal:
  1. Install the low pressure seal into the seal retainers with the garter spring down.
- E. Reinstall the high pressure seal:
  1. Lubricate the seal chamber in the manifold
  2. Carefully square the high pressure seal into position by hand with the grooved side down (metal back facing out).
  3. Examine the seal retainer's o-ring and replace if worn. Lubricate the new o-ring before installing.
  4. Next, press the seal retainers into the manifold until completely seated.

### 4. Servicing the Plungers (See illustrations above step 3.)

- A. Using a hex tool, loosen the plunger retainer about three to four turns. Push the plunger back to separate it from the retainer and finish unthreading the plunger retainer by hand.

- B. Unthread the plunger retainer with sealing washer.
- C. Remove the ceramic plunger, keyhole washer and barrier slinger from the plunger rod.
- D. Reinstall the ceramic plungers:
  - 1. Examine the sealing washer on the plunger retainer and replace it if it is cut or worn. Lubricate the new sealing washer for ease of installation and to avoid damage.
  - 2. Apply Loctite 242™ to the threads of the plunger retainer and press it into the ceramic plunger. Thread hand tight, then torque the bolt to 4.4 foot pounds.
  - 3. Install the seal retainer with holes to the top and bottom, and forward.

5. Reinstall High Pressure Manifold

- A. Slip the seal retainer over the ceramic plungers with the holes to the top and bottom and forward.
- B. Turn the shaft by hand to line up the plungers so that the end plungers are parallel.
- C. Lightly lubricate the plungers and carefully slide the manifold head onto the plungers while supporting it from the underside to avoid damaging the plungers.
- D. Reinstall the socket head bolts and torque to 4.4 foot pounds.

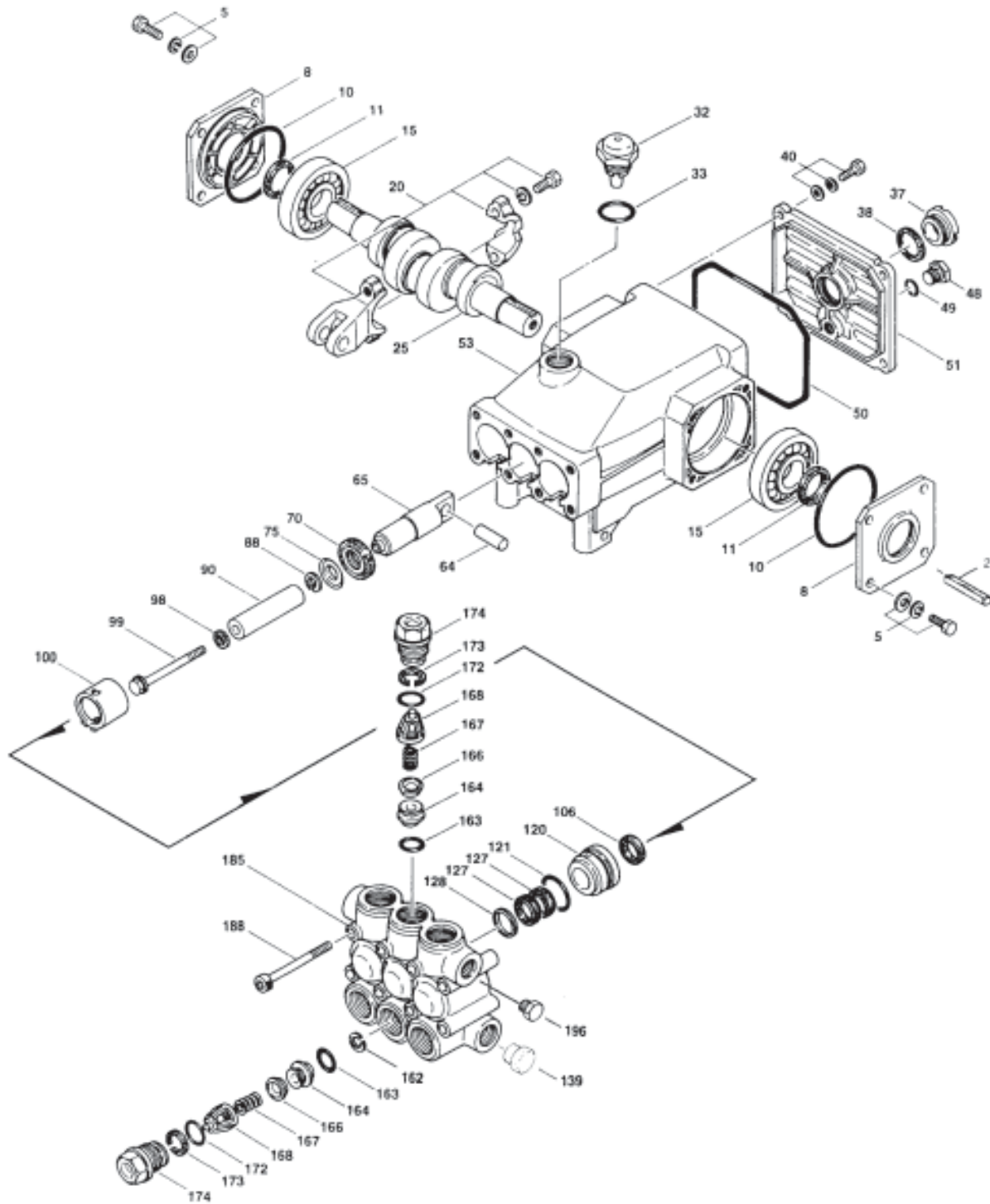
## 6. Servicing the Crankcase

- A. While manifold, plungers, and seal retainers are removed, examine the crankcase seals for wear.
- B. Rotate the crankshaft oil seal externally for drying, cracking or leaking.
- C. Consult your HydraMaster distributor if crankcase servicing is necessary

Figure 6-1: Cat Pump

Torque Chart				
		Torque		
Pump Item	Thread	Inch Pounds	Foot Pounds	Nm
Plunger Retainer	M6	55	4.4	6.2
Manifold Bolt	M6	55	4.4	6.2
Valve Plugs	M22	870	72.3	100.0
Bearing Case Screws	M6	50	4.0	6.0
Crankcase Cover	M6	50	4.0	6.0
Bubble Oil Gauge	M28	45	3.6	5.0
Mounting Bolts	M8	115	9.4	13.0

Cat Pump Parts List





---

ITEM	PART NO.	DESCRIPTION	QTY
2	30057	Key (M6)	1
5	96031	Screw, Sems HHC, Bearing Cover (M8x16)	8
8	46910	Cover, Bearing	2
10	14028	O-Ring, Bearing Cover	1
11	43222	Seal, Oil, Crankshaft	2
15	14480	Bearing	2
20	46743	Rod, Connecting, Assembly	2
25	46928	Crankshaft, Dual End	3
32	46798	Cap, Oil Filler	1
33	14179	O-Ring, Oil Filler Cap	1
37	43987	Gauge, Oil, Bubble	1
38	44428	Gasket, Flat, Oil Gauge	1
40	92519	Screw, Sems HHC, Crankcase Cover (M6x16)	4
48	25625	Plug, Drain (3" x 11)	1
49	23170	O-Ring, Drain Plug	1
50	46940	Cover, Crankcase	1
51	14044	O-Ring, Crankcase Cover	1
53	46912	Crankcase	1
64	46746	Pin, Plunger Rod	3
65	46747	Rod, Plunger	3
70	147-013	Seal, Crankcase Oil for 3CP Cat Pump	3
75	43900	Slinger, Barrier	3
88	45697	Washer, Keyhole	3
90	46893	Plunger (M50)	3
98	46730	Seal, Washer	3
99	46729	Retainer, Plunger with Stud (M7)	3
100	46749	Retainer, Seal	3
106	43243	Seal, LPS with Spring	3
120	46896	Case, Seal	3

---

**Cat Pump Parts List**

---

ITEM	PART NO.	DESCRIPTION	QTY
121	13976	O-Ring, Seal case	3
127	44549	V Packing	6
128	44548	Adapter, Male	3
139	22179	Plug, Inlet ½"	1
163	17547	O-Ring 85, Valve Seat	6
164	46658	Seat	6
166	46429	Valve	6
167	43750	Spring	6
168	46583	Retainer, Spring	6
172	17549	O-Ring, Valve Plug	6
173	48365	Back up Ring, Valve Plug	6
174	45900	Plug, Valve	6
185	46895	Manifold, Head	1
193	87872	Bolt, HSH, Manifold Head (M8x70)	8
196	22187	Plug, Discharge d"	1
299	814843	Complete Head	1
300	078-271	Kit, Seal for 3CP Cat Pump	1
310	078-270	Kit, Valve for 3CP Cat Pump	1
350	30696	Valve Seal Removal Tool	1

# *High Pressure System Troubleshooting*

## **1.0. Will not come up to normal cleaning pressure**

- 1.1. **Pressure adjusting valve is defective or dirty.** Disassemble valve. Repair or replace as necessary.
- 1.2. **Worn seals or valves in pump.** Test pump output volume directly from pump at normal operating RPM. If volume is below manufacturers specifications, replace seals and inspect for defective valves.
- 1.3. **Pump RPM is too low.** Check engine RPM and adjust as necessary. Check for loose pump belt. Adjust tension as necessary.
- 1.4. **High temperature dump solenoid is activated.** Refer to Heating System section IV.
- 1.5. **Primary system control orifice is missing or loose.** Remove filter and inspect. Tighten or replace as necessary.
- 1.6. **Primary system control orifice has been exchanged with secondary (hot water dump) orifice.** Inspect and reverse as necessary.
- 1.7. **Primary orifice is worn.** Measure orifice size and replace as necessary.

## **2.0. No pressure reading on PSI gauge**

- 2.1. **Pump switch is not turned on.** Turn on switch
- 2.2. **No water in mix tank.** Refer to section 5.0
- 2.3. **Pump belt is broken.** Replace belt.
- 2.4. **Pump clutch is not activated. There *is no* water in water box.** Check system back to source to locate cause of interruption to water flow.

**2.5. Pump clutch is not activated. There *is* water in the water box.** Check for 12 volts at clutch. If 12 volts is present, replace clutch.

2.5.1. If 12 volts is not present, check fuse that supplies power to the low-water relay. If fuse is good and there is 12 volts at the relay, check low water switch in water box.

2.5.2. If low water switch has no continuity when float is up, replace the switch. If switch is good, replace the low water relay.

### **3.0. PSI gauge reads normal; low pressure from wand**

3.1. **There is a restriction in the cleaning tool.** Inspect tool jet and clean or replace as necessary. Inspect any filters in the cleaning tool and clean or replace as necessary.

3.2. **There is a defective quick connect in the system.** Inspect each quick connect and replace as necessary.

3.3. **There is a restriction in one of the solution hoses.** Remove quick connects and inspect hoses. Clean or replace as necessary.

3.4. **There are hard water deposits restricting the system between the afterburner heat exchanger and the high-pressure solution connection at the front of the machine.** Descale the machine. If this doesn't solve the problem, disassemble this portion of the system and locate restriction.

### **4.0. Pressure pulsation**

4.1. **Water in the water-box is too hot and is approaching boiling point.** Check temperature of water in the water-box.

4.2. **There is an air leak between the water box outlet and the pump inlet.** Physically check all hoses and fittings for cuts, breaks, cracks or tightness. Repair as necessary.

4.3. **One of the intake or outlet valves in the high-pressure pump is defective or is being held open by debris.** Remove each valve and inspect for correct operation.

## **5.0. Water box empty or fills slowly**

5.1. **There is a restriction in the water supply system.** Inspect the supply system from the source through the incoming quick connect for kinks, clogs or restricted filters. Clean or repair as necessary.

5.2. **The float valve in the water box is defective.** If there is adequate water flow to the incoming valve in the water box, disassemble and inspect the valve. Repair or replace as necessary.

## **6.0. Water box overflows**

6.1. **There is either debris caught in the valve or the valve seal is bad.** Disassemble valve and repair or replace as necessary.

6.2. **The float has absorbed water and has lost buoyancy.** Detach float and check to see if it will float to the surface. Replace as necessary.

6.3. **The float has come out of adjustment.** Readjust float as necessary.

---

# CDS 4.8 Machine Assemblies & Parts

CDS 4.8

Section 7-1

Figure 7-1 CDS 4.8 Machine Assembly - Front View

D-7145 Rev -

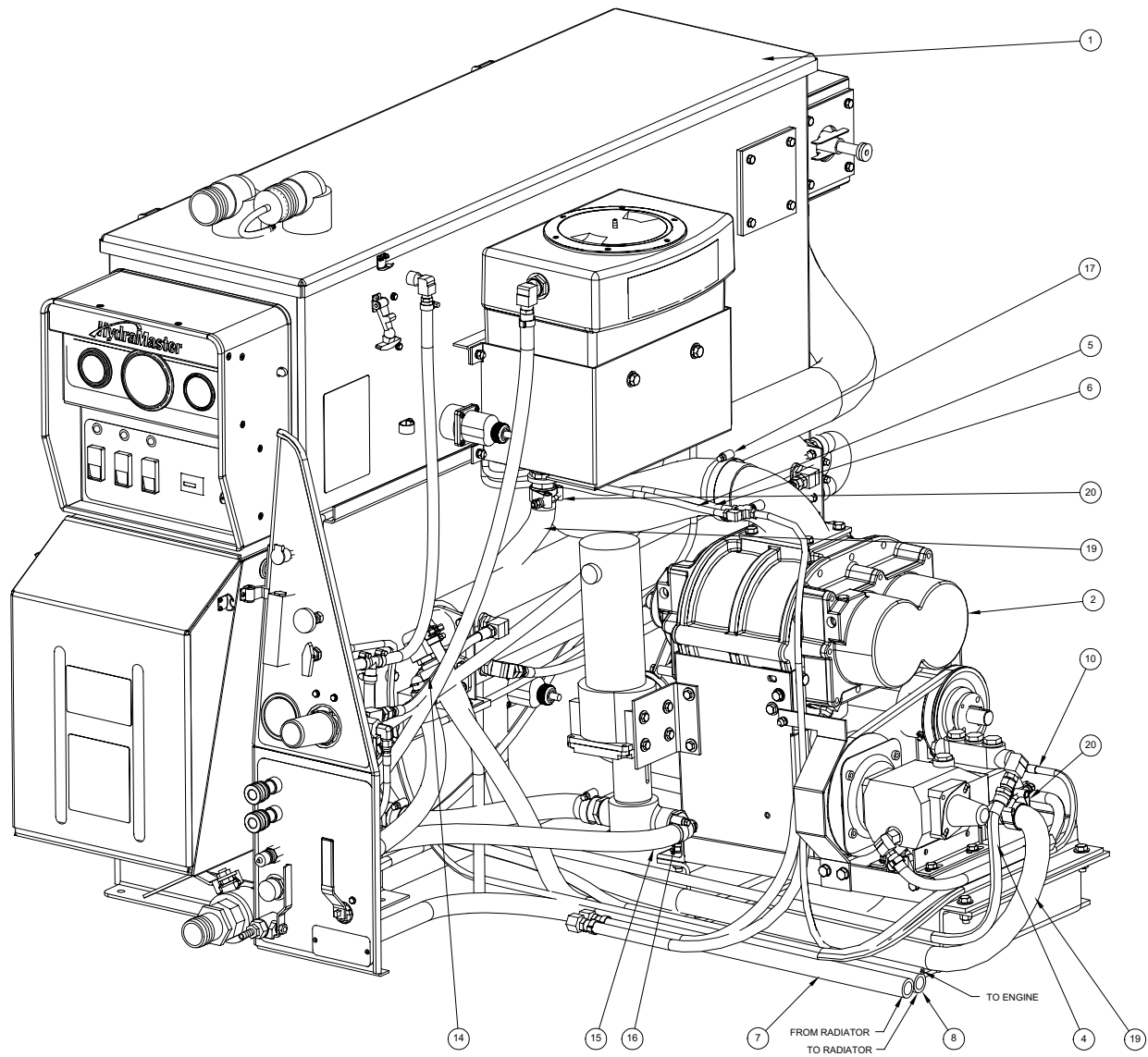
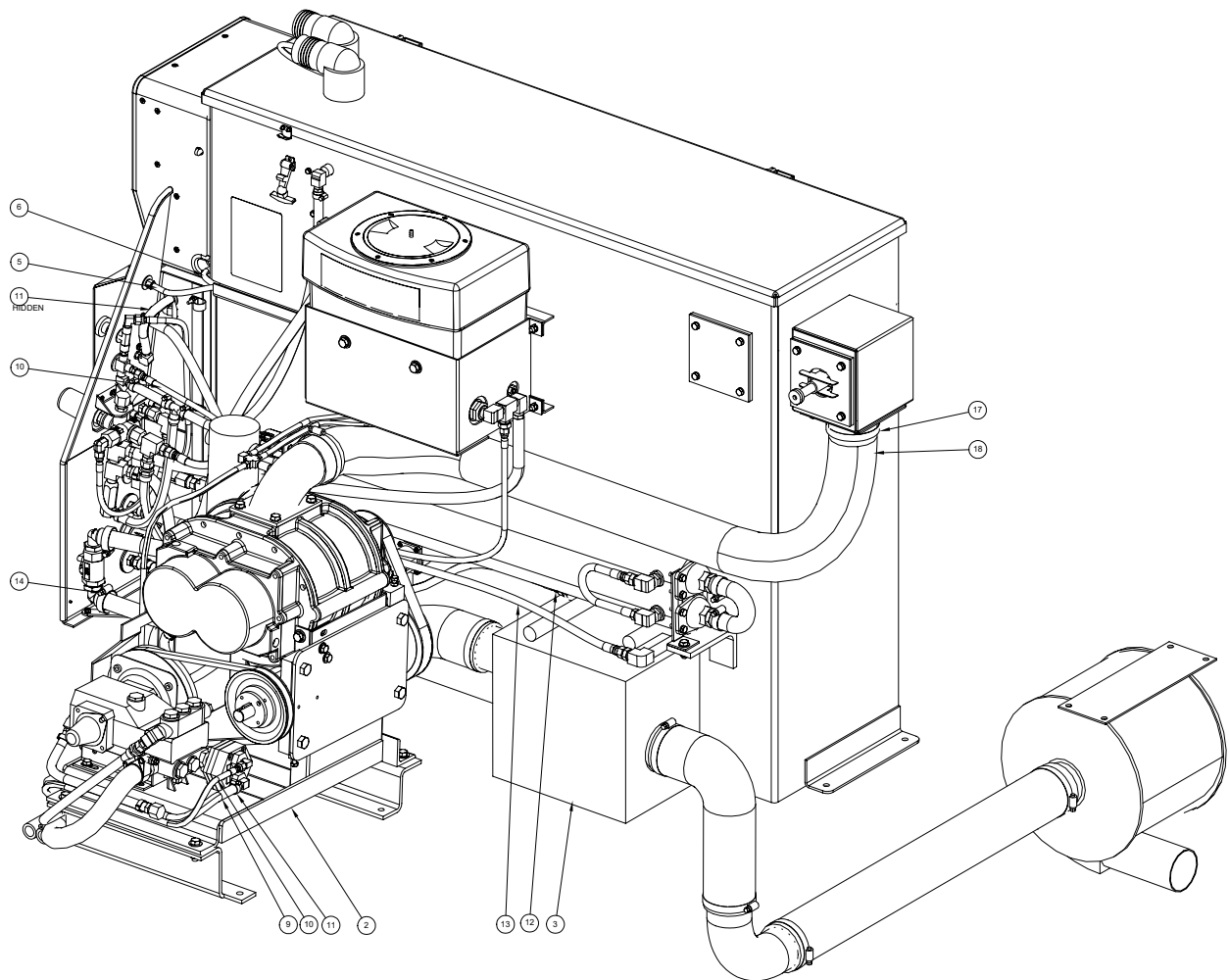


Figure 7-2 CDS 4.8 Machine Assembly - Rear View  
D-7145 Rev -



**CDS 4.8 Machine Assembly Parts List**

<b>Item</b>	<b>Part Number</b>	<b>Description</b>	<b>Qty</b>
1	<b>Fig. 7-3 &amp; 7-4</b>	Assembly, Recovery Tank - CDS 4.8	1
2	<b>Fig. 7-11</b>	Assembly, Pump & Blower - CDS 4.8	1
3	000-079-077	Assembly, Salsa 2005+ CDS ( <b>Fig. 7-21</b> )	1
4	000-052-756	Hose, 3/8" x 36" Lg. Throb - CDS	1
5	000-068-030	Hose, 5/32" I.D. Vacuum - Bulk	1
6	000-068-030	Hose, 5/32" I.D. Vacuum - Bulk	1
7	000-068-459	Hose, 3/4" I.D. Green Stripe - Bulk	1
8	000-068-459	Hose, 3/4" I.D. Green Stripe - Bulk	1
9	000-068-085	Hose, 3/8" Hi Temp Black - Bulk	1
10	000-068-706	Hose, 3/16" x 70" Lg. Teflon w/ F JIC Ends	1
11	000-033-005	Clamp, Size #5 Hose	2
12	000-068-755	Hose, 3/8" x 31" Lg. Teflon w/ 3/8" JIC Ends	1
13	000-068-755	Hose, 3/8" x 31" Lg. Teflon w/ 3/8" JIC Ends	1
14	000-033-020	Clamp, Size #16 Hose	2
15	000-068-069	Hose, 3/4" I.D. Parker Gst II - Bulk	1
16	000-033-026	Clamp, Size #10 Hose	2
17	000-033-013	Clamp, Size #48 Hose	2
18	000-068-773	Hose, Ø3.0" x 15" Lg. Flexible Wire Reinforced	1
19	000-068-777	Hose, 1" x 45" Lg. Suction	1
20	000-033-132	Clamp, 1-1/2" T-Bolt	2



Figure 7-3 CDS 4.8 Recovery Tank Assembly - Rear View  
D-6977 Rev -

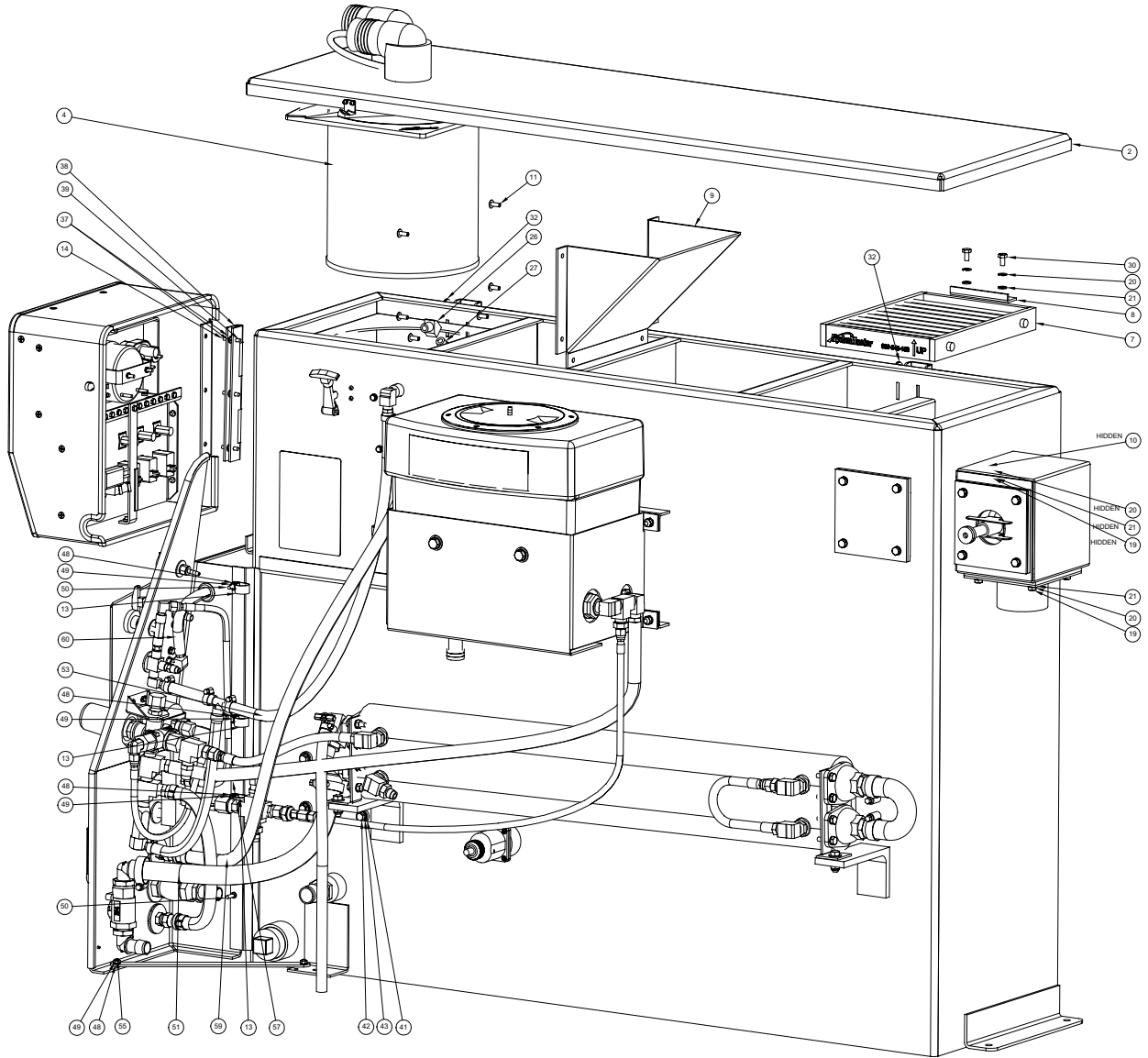
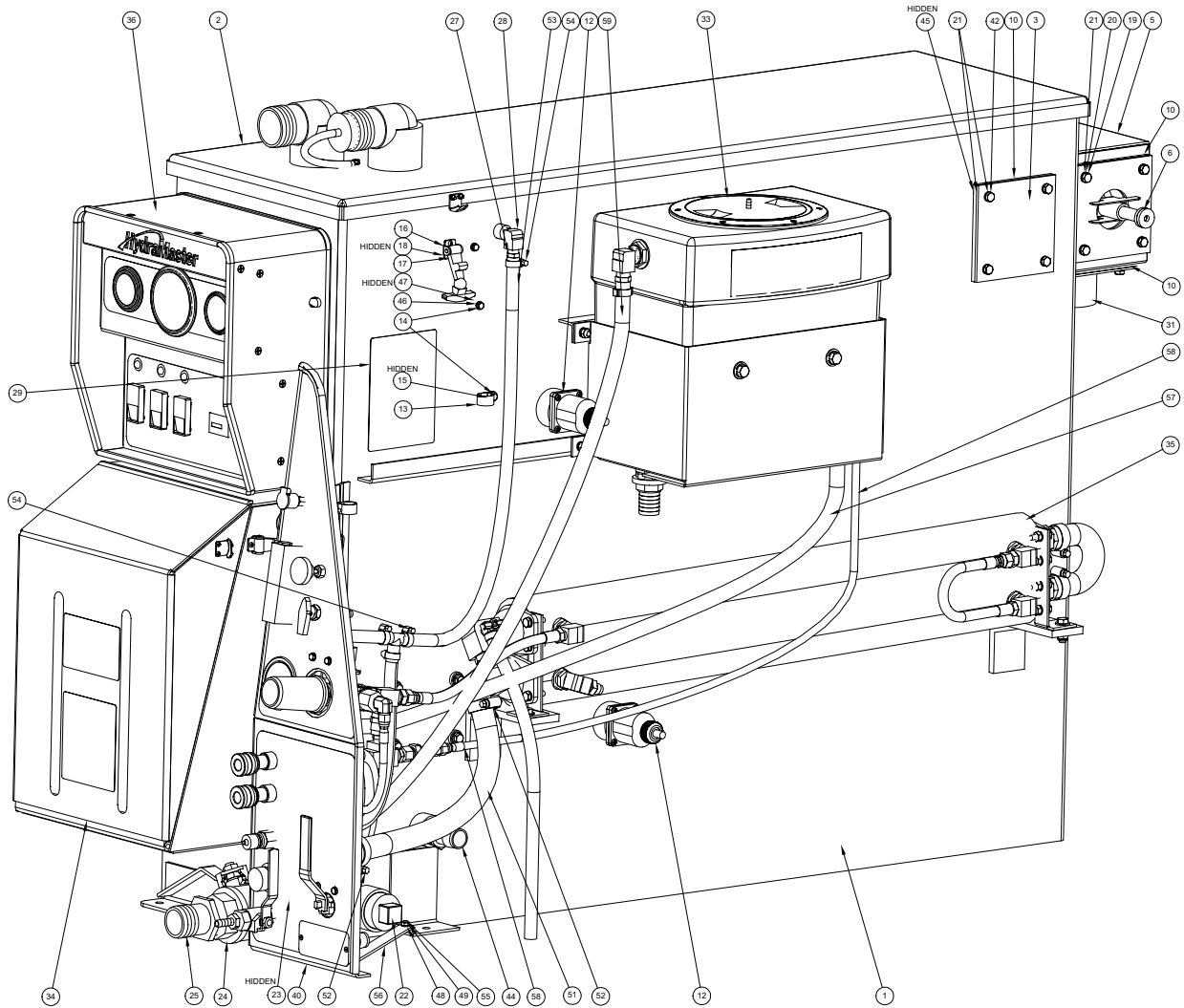


Figure 7-4 CDS 4.8 Recovery Tank Assembly - Front View  
D-6977 Rev -



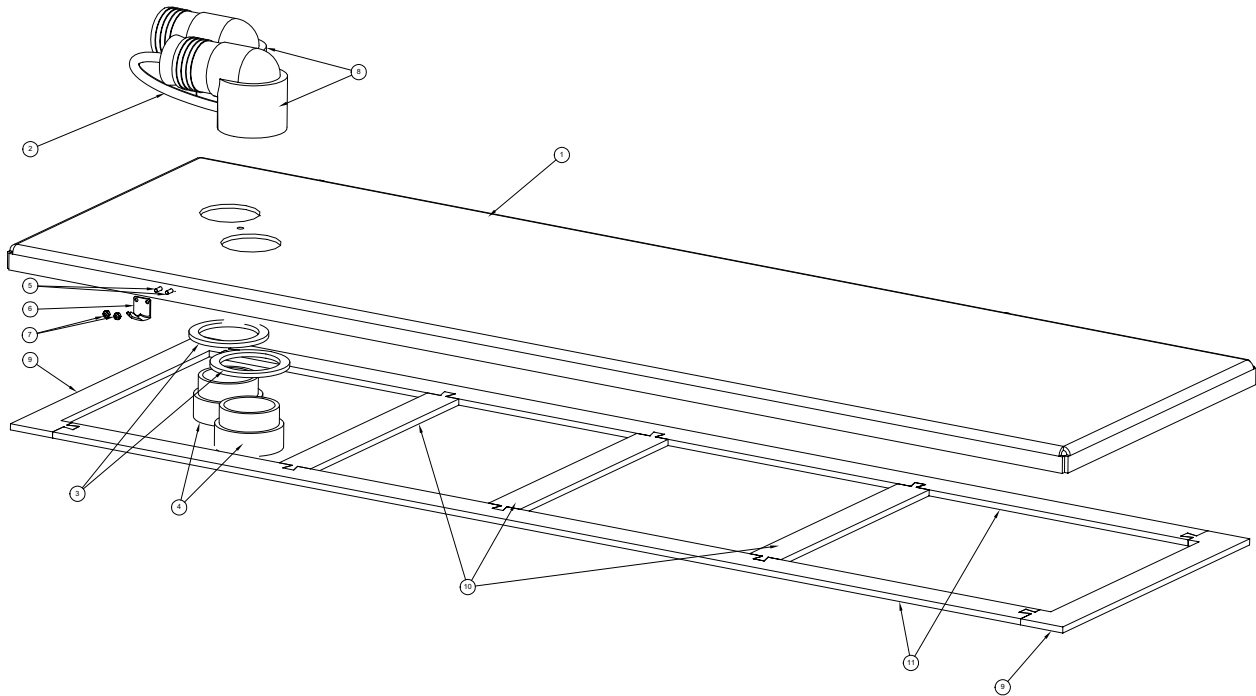
## CDS 4.8 Recovery Tank Assembly Parts List

Item	Part Number	Description	Qty
1	000-159-130	Tank, 100 Gallon CDS Universal Recovery - Weldment	1
2	<b>Fig. 7-5</b>	Assembly, Recovery Tank Cover - 100 Gallon CDS	1
3	000-105-336	Plate, Vacuum Port Cover - 100 Gallon Universal Recov	1
4	000-049-152	Filter, Recovery Tank Basket	1
5	000-013-070	Box, Vacuum Relief Valve - Universal Recovery Tank	1
6	<b>Fig. 7-20</b>	Assembly, Vacuum Relief Valve	1
7	000-049-153	Filter, Flat - Recovery Tank	1
8	000-015-932	Bracket, Flat Filter Securing - Universal Recovery Tank	1
9	000-049-154	Deflector, Air - Univeral Recovery Tank	1
10	000-057-206	Gasket, Adapter - Universal Recovery Tank	4
11	000-140-023	Rivet, AB8-6A Aluminum Pop	6
12	000-157-090	Float, Lever Switch	2
13	000-033-023	Clamp, 3/4" Nylon Hose	4
14	000-143-126	Screw, #10-24UNC x 0.50" Lg. Hex Head	6
15	000-094-059	Nut, #8-32UNF Nylock	1
16	000-086-008	Latch, Bungie	1
17	000-143-539	Screw, #6-32UNC x 0.50" Lg. Button Head Allen	2
18	000-094-063	Nut, #6-32UNC Nylock	2
19	000-143-001	Screw, 1/4"-20UNC x 0.75" Lg. Hex Head	12
20	000-174-019	Washer, 1/4" Lock	14
21	000-174-003	Washer, 1/4" Flat	22
22	000-106-019	Plug, 1-1/2" NPT	1
23	000-052-763	Nipple, 1-1/2" IPS Close s/s	1
24	000-169-022	Valve, 1-1/2" Full Port Ball	1
25	000-052-226	Insert, 1-1/2" NPT x 1-1/2" Barb (Grey)	1
26	000-052-082	Elbow, 1/4" NPT Street x 45°	1
27	000-052-102	Insert, #46 (1/4" NPT x 3/8" Barb)	2
28	000-052-085	Elbow, 1/4" NPT Street	1
29	000-081-252	Label, Maintenance & Lubrication Schedule	1
30	000-143-333	Screw, 1/4"-20UNC x 0.50" Lg. Hex Head	2

## CDS 4.8 Recovery Tank Assembly Parts List

Item	Part Number	Description	Qty
31	000-001-132	Adapter, Tank To Ø3.0" Blower Hose - Universal Recov	1
32	000-174-029	Washer, 3/8" Rubber Back	2
33	<b>Fig. 7-17</b>	Assembly, Water Box	1
34	000-166-033	Assembly, Soap Jug Tray - CDS 4.8 ( <b>Fig. 7-19</b> )	1
35	<b>Fig. 7-10</b>	Assembly, Dual Heat Exchanger	1
36	<b>Fig. 7-15</b>	Assembly, Dash - CDS 4.8	1
37	000-174-001	Washer, #10 Flat	6
38	000-067-031	Hinge, Dash Box	1
39	000-143-166	Screw, #10-24UNC x 0.38" Lg. Hex Head	3
40	<b>Fig. 7-6 &amp; 7-7</b>	Assembly, Instrument Panel	1
41	000-094-113	Nut, 1/4"-20UNC Neoprene Wellnut	4
42	000-143-002	Screw, 1/4"-20UNC x 1.00" Lg. Hex Head	8
43	000-174-060	Washer, 1/4" Flat Rubber Backed	4
44	000-052-758	Insert, 1" NPT x 1" Barb	1
45	000-094-009	Nut, 1/4"-20UNC Hex Nylock	4
46	000-174-036	Washer, #10 Flat Rubber Backed	2
47	000-094-034	Nut, #10-24UNC Nylock	2
48	000-174-015	Washer, #10 Outside Star	5
49	000-094-004	Nut, #10-24UNC Hex	5
50	000-143-064	Screw, #10-24UNC x 1.00" Lg. Flat Head Phillips	4
51	000-068-459	Hose, 3/4" I.D. Green Stripe	1
52	000-033-020	Clamp, Size #16 Hose	2
53	000-068-017	Hose, 3/8" Bulk	1
54	000-033-005	Clamp, Size #5 Hose	2
55	000-143-114	Screw, #10-24UNC x 0.50" Lg. Flat Head	2
56	601-013-001	Stabilizer, Instrument Panel To Recovery Tank	1
57	000-068-018	Hose, 1/2" I.D. Rubber - Bulk	1
58	000-068-203	Hose, 3/16" x 34" Lg. 1/4" FJIC x 1/4" FJIC	1
59	000-068-734	Hose, 1/2" x 42.5" Lg. w/ 3/8" NPT & 3/8" SAE F Ends	1
60	000-068-326	Hose, 3/8" I.D. Clear w/ Braid	1

Figure 7-5 CDS 4.8 Recovery Tank Cover Assembly  
D-7151 Rev -



**CDS 4.8 Recovery Tank Cover Assembly Parts List**

Item	Part Number	Description	Qty
1	000-041-447	Cover, 100 Gallon Universal Recovery Tank - Weldment	1
2	000-078-039	Vacuum Inlet Stopper Assembly - Recovery Tank	1
3	000-057-015	Gasket, 1-1/2" Bulkhead Fitting	2
4	000-052-219	Adapter, 2" NPT x 2" F Slip	2
5	000-143-539	Screw, #6-32UNC x 0.50" Lg. Button Head Allen	2
6	000-086-008	Latch, Bungie - Strike	1
7	000-094-063	Nut, #6-32UNC Nylock	2
8	000-052-222	Elbow, 2" Barb x 2" FPT	2
9	000-057-202	Gasket, End - Recovery Tank	2
10	000-057-203	Gasket, Middle - Recovery Tank	3
11	000-057-205	Gasket, Side - Recovery Tank - 100 Gallon	2

Figure 7-6 CDS 4.6/4.8 Instrument Panel Assembly  
D-6988 Rev A

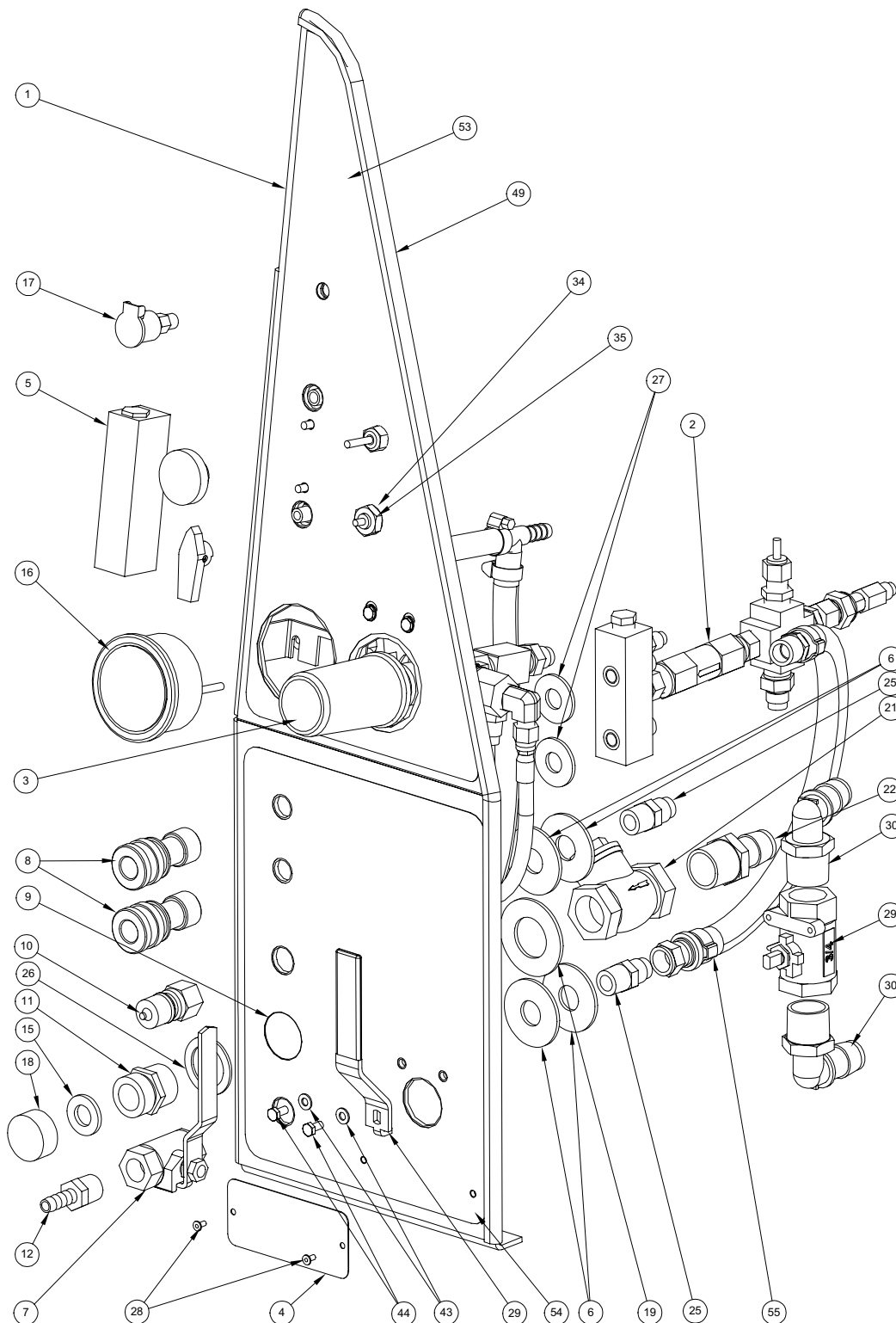
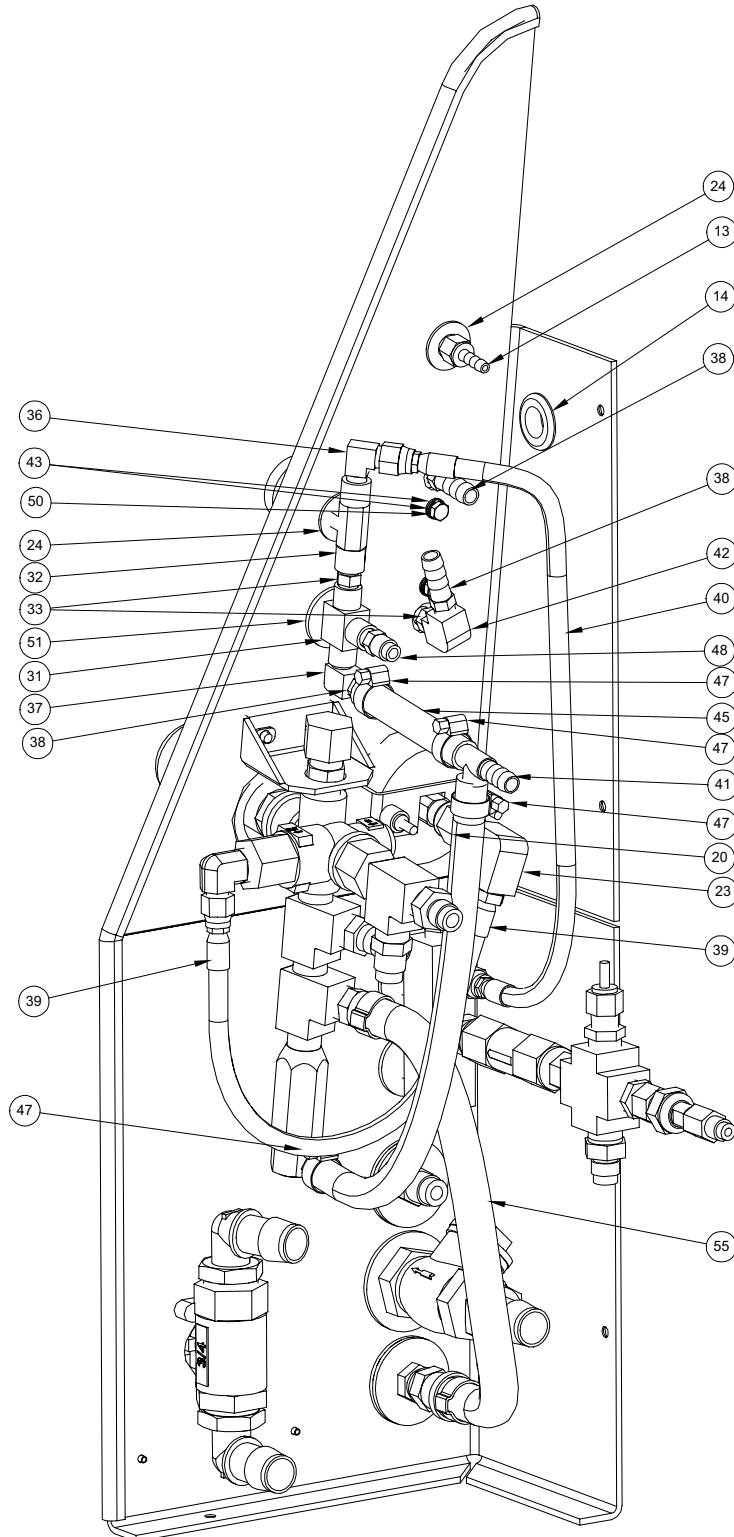


Figure 7-7 CDS 4.6/4.8 Instrument Panel Assembly  
D-6988 Rev A



## CDS 4.6/4.8 Instrument Panel Assembly Parts List

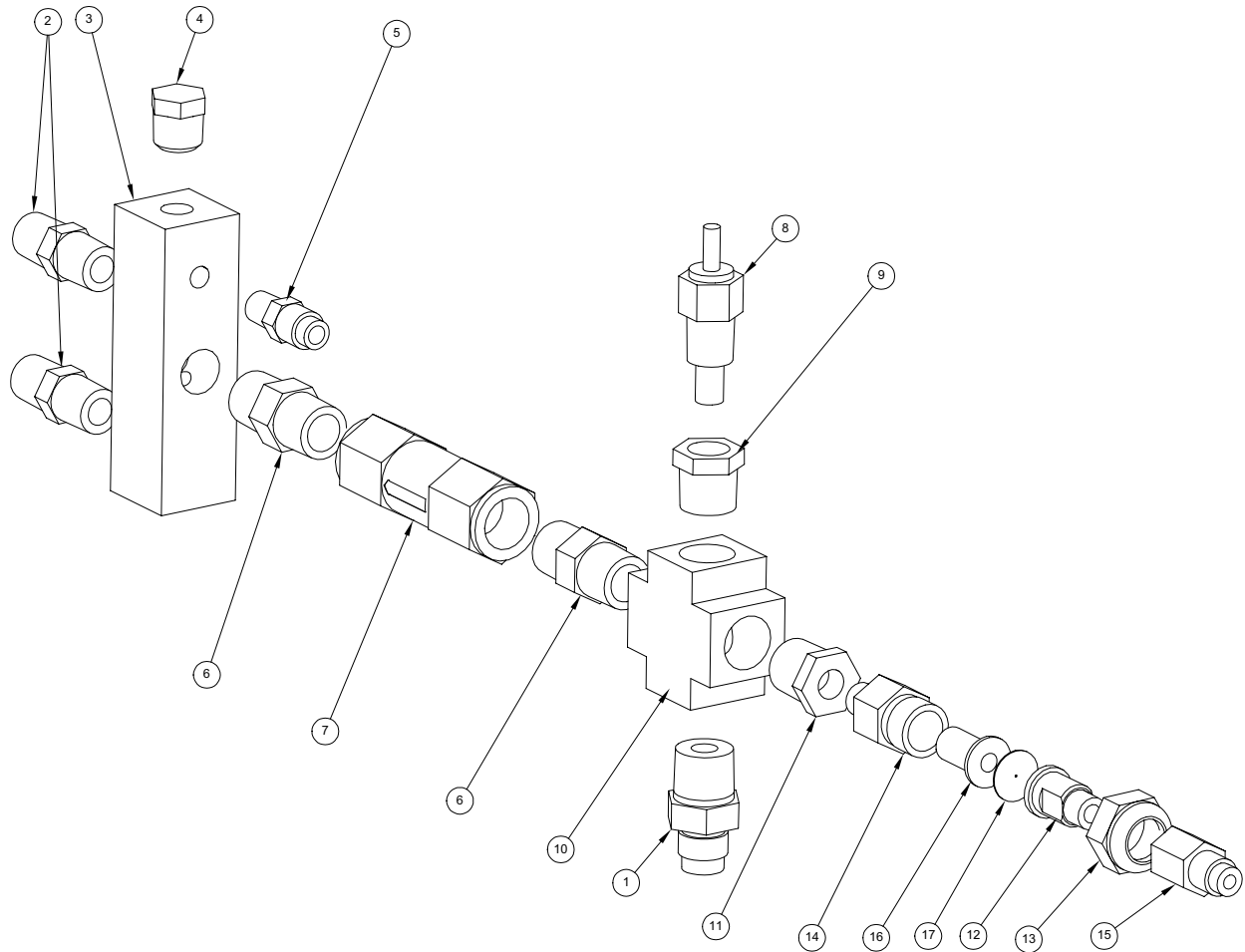
Item	Part Number	Description	Qty
1	000-100-168	Panel, Instrument	1
2	<b>Fig. 7-8</b>	Assembly, Hi-PSI Manifold	1
3	<b>Fig. 7-9</b>	Assembly, By-Pass Valve	1
4	000-105-012	Plate, Machine Serial I.D.	1
5	000-074-030	Meter, Chemical Flow Raw	1
6	000-174-008	Washer, 5/8" Flat	4
7	000-169-064	Valve, 3/8" NPT Full Port Ball	1
8	000-052-051	Quick Connect, 440 Female w/ EPDM O-Ring	2
9	000-106-029	Plug, 1" Hole	1
10	000-052-052	Quick Connect, 660 Male w/ Viton Standard	1
11	000-052-281	Nipple, 3/4" NPT x 3/4" Male Garden Hose	1
12	000-052-104	Insert, #66 (3/8" NPT x 3/8" Barb)	1
13	000-052-096	Insert, #F23 (1/8" FPT x 3/16" Barb)	1
14	000-060-002	Grommet, Large Wiring	1
15	000-057-055	Gasket, Garden Hose	1
16	000-074-003	Guage, Hi-PSI (0-1000)	1
17	000-052-272	Cup, Gravity Feed Oil Blower Lubrication Port	1
18	000-027-014	Cap, Garden Hose	1
19	000-174-050	Washer, 1" Flat	1
20	000-135-052	Regulator, Hi PSI Snubber	1
21	000-169-009	Valve, 3/4" FPT Swing Check	1
22	000-052-338	Insert, #1212 (3/4" NPT x 3/4" Barb)	1
23	000-052-088	Elbow, 1/4" FPT x FPT	1
24	000-174-005	Washer, 3/8" Flat	2
25	000-052-128	Nipple, 3/8" NPT x 3/8" Male Propane	2
26	000-174-063	Washer, 1.5" O.D. x 1.073" I.D. x 0.075" Thk.	1
27	000-174-012	Washer, 1/2" SAE H/D Flat	2
28	000-140-015	Rivet, 1/8" x 1/4" Lg. Pop	2
29	000-169-201	Valve, 3/4" Heater Panel Mount	1
30	000-052-756	Insert, 3/4" NPT x 3/4" Elbow	2



**CDS 4.6/4.8 Instrument Panel Assembly Parts List**

Item	Part Number	Description	Qty
31	000-169-0171	Valve, 3-Way Ball O-Ring Style	1
32	000-169-160	Valve, Chemical Metering	1
33	000-052-069	Nipple, 1/8" NPT Hex	2
34	000-174-030	Washer, 5/8" I.D. x 7/8" O.D. x 0.010" Thk.	1
35	000-094-098	Nut, 7/16"-24UNF - 2 Way Metering Valve	1
36	000-052-531	Elbow, 1/8" NPT x 1/4" SAE	1
37	000-052-084	Elbow, 1/8" NPT Street	1
38	000-052-099	Insert, #26 (1/8" NPT x 3/8" Barb)	3
39	000-068-491	Hose, 3/16" x 10" Lg. Teflon 1/4" NPT x 1/4" JIC F	1
40	000-068-518	Hose, 3/16" x 18.25" Lg. Teflon w/ F JIC Ends	1
41	000-052-022	Tee, 3/8" Insert	1
42	000-052-089	Elbow, 1/8" NPT Female	1
43	000-174-001	Washer, #10 Flat	6
44	000-143-166	Screw, #10-24UNC x 0.38" Lg. Hex Head	2
45	000-068-017	Hose, 3/8" Bulk	1
46	000-068-017	Hose, 3/8" Bulk	1
47	000-033-005	Clamp, Size #5 Hose	4
48	000-052-530	Nipple, 1/8" MNPT x 1/4" SAE	1
49	000-131-027	Trimlok, 1/8" x 3/8" Lg.	1
50	000-174-014	Washer, #10 Lock	2
51	000-174-007	Washer, 1/2" Flat	1
52	000-143-327	Screw, #10-32UNF x 0.50" Lg. Hex Head	2
53	000-081-252	Label, Instrument Panel - CDS 4.6 / 4.8	1
54	000-081-252	Label, Bottom - Instrument Panel - CDS 4.6/4.8	1
55	000-068-757	Hose, 1/2" x 20.5" Lg. Rubber w/ 3/8" NPT x 3/8" SAE Femal	1

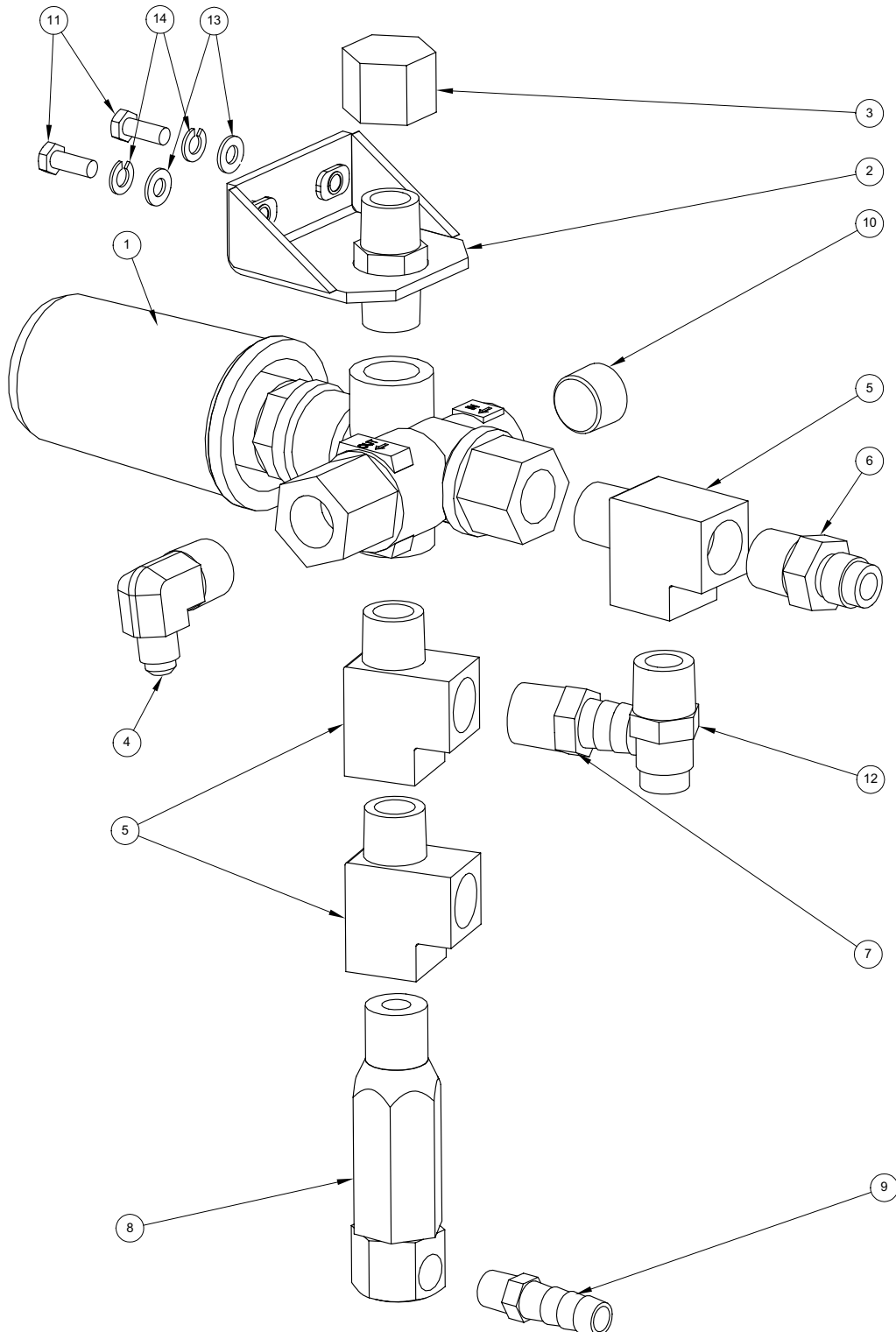
Figure 7-8 **CDS 4.6/4.8 Hi-PSI Manifold Assembly**  
D-6091 Rev B



**CDS 4.6/4.8 Hi-PSI Manifold Assembly Parts List**

Item	Part Number	Description	Qty
1	000-052-528	Nipple, 3/8" M JIC x 3/8" NPT	1
2	000-052-071	Nipple, 1/4" NPT Hex	2
3	000-090-008	Manifold, Hi Pressure	1
4	000-106-002	Plug, 1/4" NPT Hex	1
5	000-052-530	Nipple, 1/8" MNPT x 1/4" SAE	1
6	000-052-074	Nipple, 3/8" NPT Hex	2
7	000-169-186	Valve, 3/8" FPT x 3/8" FPT 100 PSI Check	1
8	000-149-039	Sender, Temperature	1
9	000-052-061	Bushing, 3/8" NPT x 1/4" FPT	1
10	000-052-113	Cross, 3/8" FPT	1
11	000-050-060	Bushing, 3/8" NPT x 1/8" FPT	1
12	000-052-582	Nipple, Tee Jet Style Collar x 1/8" NPT	1
13	000-094-028	Nut, Brass Jet Assembly	1
14	000-052-153	Housing, Stabalizer Nozzle	1
15	000-052-586	Nipple, 1/8" FPT x 1/4" SAE	1
16	000-049-052	Filter Cartridge, 1/4"	1
17	000-180-009	Orifice, 0.027" Plate	1

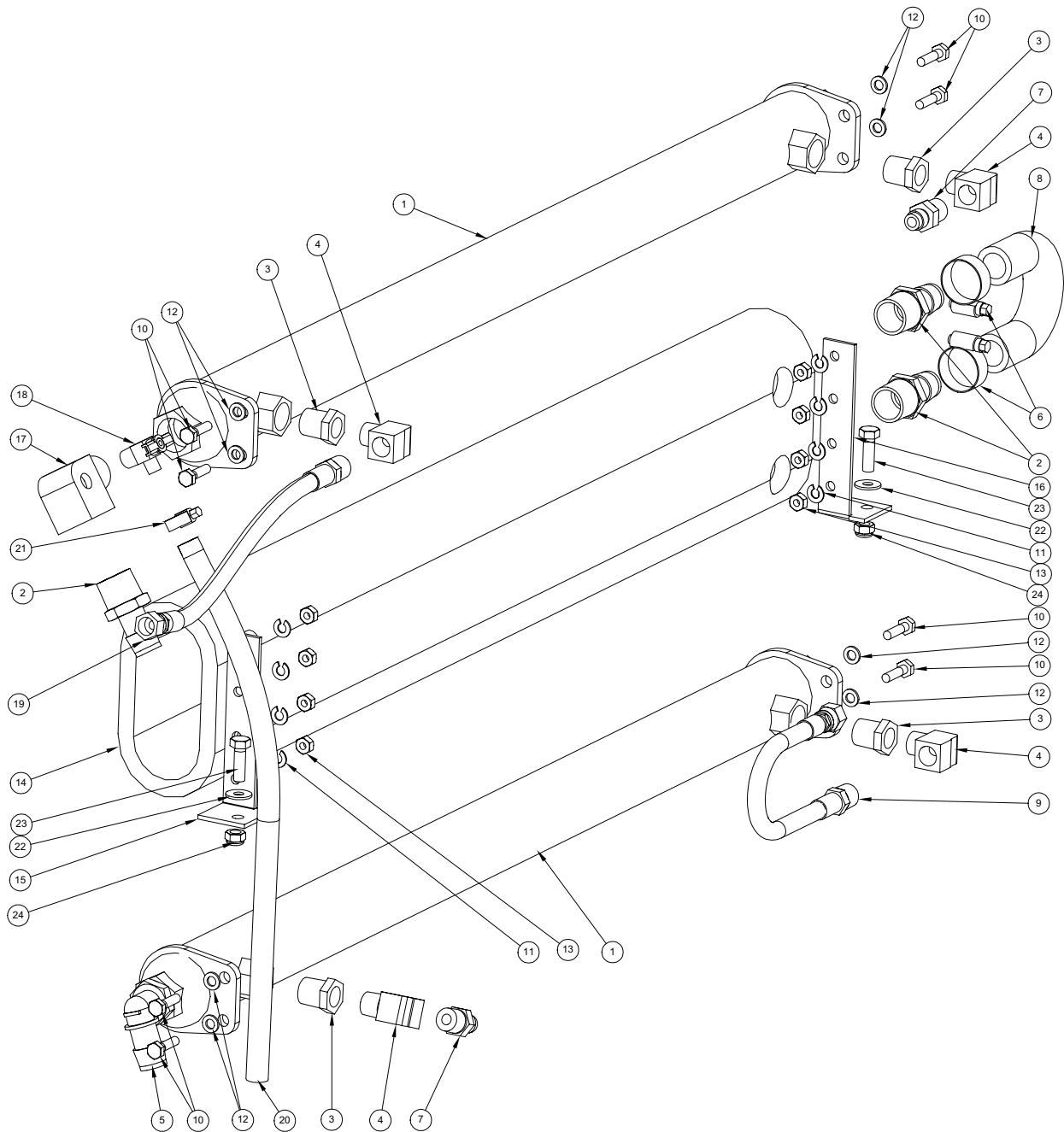
Figure 7-9 CDS 4.6/4.8 By-Pass Valve Assembly  
C-6989 Rev A



**CDS 4.6/4.8 By-Pass Valve Assembly Parts List**

<b>Item</b>	<b>Part Number</b>	<b>Description</b>	<b>Qty</b>
1	000-169-188	Valve, PSI Regulator 0-1500PSI - Modified	1
2	000-015-515	Bracket, By-Pass Valve Mounting	1
3	000-027-008	Cap, 3/8" FPT	1
4	000-052-764	Elbow, 1/4" SAE x 3/8" MNPT x 90°	1
5	000-052-023	Tee, 3/8" NPT Male Street	3
6	000-052-528	Nipple, 3/8" M JIC x 3/8" NPT	1
7	000-052-105	Insert, #68 (3/8" NPT x 1/2" Barb)	1
8	000-169-027	Valve, Thermal Relief 165° F	1
9	000-052-099	Insert, #26 (1/8" NPT x 3/8" Barb)	1
10	000-106-008	Plug, 3/8" NPT Allen Head	1
11	000-143-126	Screw, #10-24UNC x 0.50" Lg. Hex Head	2
12	000-052-128	Nipple, 3/8" NPT x 3/8" Male Propane	1
13	000-174-001	Washer, #10 Flat	2
14	000-174-014	Washer, #10 Lock	2

Figure 7-10 CDS 4.6/4.8 Dual Heat Exchanger Assembly  
D-3803 Rev H

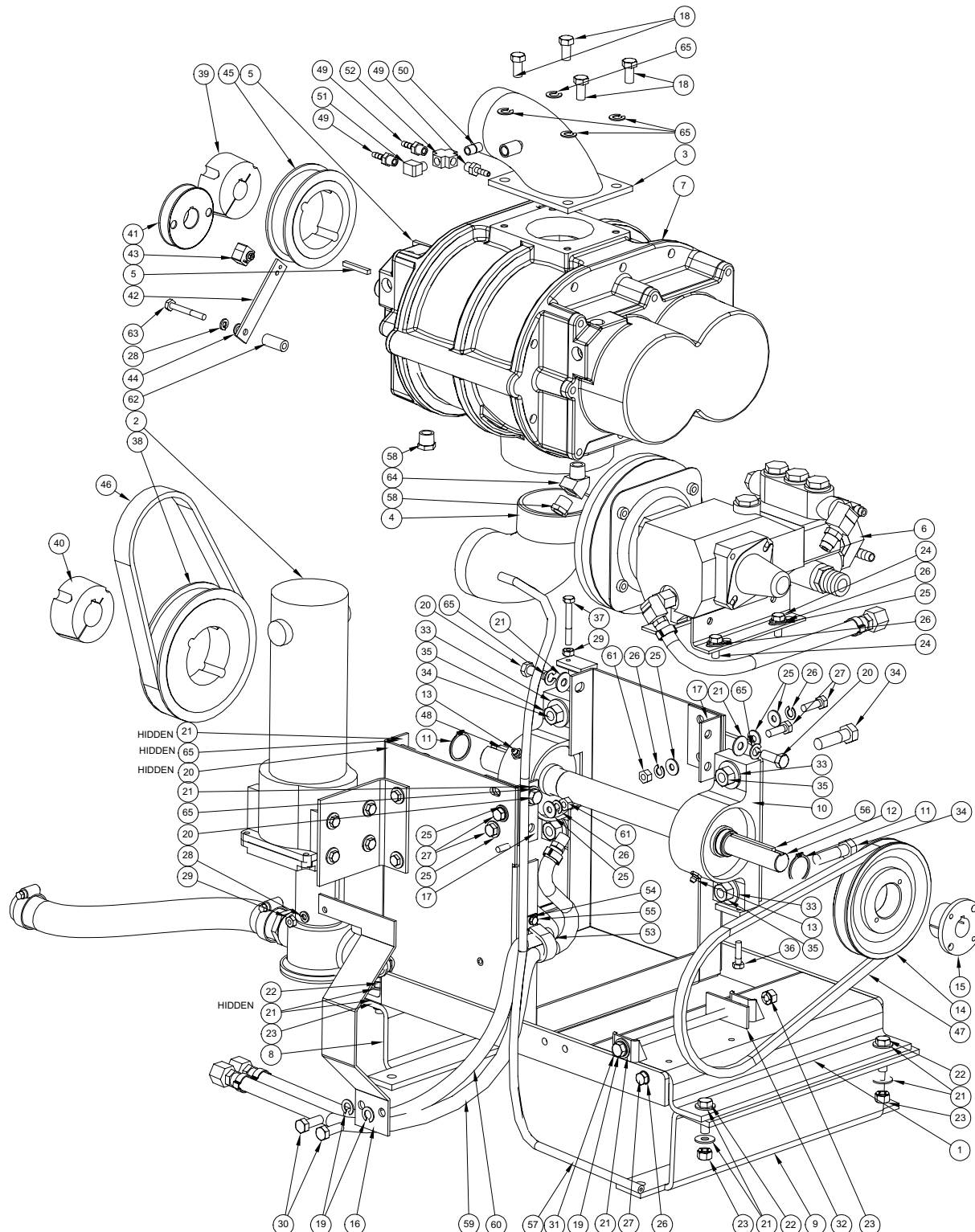


### CDS 4.6/4.8 Dual Heat Exchanger Assembly Parts List

Item	Part Number	Description	Qty
1	000-038-046	Heat Exchanger, Water To Water Hi-PSI 2"X36" 1" NPT End	2
2	000-052-338	Insert, #1212 (3/4" NPT x 3/4" Barb)	3
3	000-052-064	Bushing, 1/2" NPT x 3/8" FPT	4
4	000-052-086	Elbow, 3/8" NPT Street	4
5	000-052-756	Insert, 3/4" NPT x 3/4" Elbow	1
6	000-033-029	Clamp, Size 12 Hose	2
7	000-052-528	Nipple, 3/8" M JIC x 3/8" NPT	2
8	000-068-066	Hose, 3/4" I.D w/ 180° Bend For HX	1
9	000-068-070	Hose, 3/8" x 12" Lg. Teflon w/ JIC Ends	1
10	000-143-002	Screw, 1/4"-20UNC x 1.00" Lg. Hex Head	8
11	000-174-019	Washer, 1/4" Lock	8
12	000-174-003	Washer, 1/4" Flat	8
13	000-094-010	Nut, 1/4"-20UNC Hex	8
14	000-131-042	Insulation, 4-1/8" x 1/2"	1
15	000-015-172	Bracket, Dual Heat Exchanger Mounting - Left	1
16	000-015-171	Bracket, Dual Heat Exchanger Mounting - Right	1
17	000-052-733	Elbow, 3/4" NPT Street - Modified	1
18	000-169-205	Petcock, Coolant 1/4" NPT	1
19	000-068-196	Hose, 3/8" I.D. x 11" Lg w/ 3/8" MNPT & 3/8" JIC Ends	1
20	000-068-091	Hose, 3/8" I.D. Clear - Bulk	1
21	000-033-003	Clamp, Size #4 Mini	1
22	000-174-002	Washer, 1/4" Flat	2
23	000-143-013	Screw, 5/16"-18UNC x 1.00" Lg. Grade 8	2
24	000-094-038	Nut, 5/16"-18UNC Nylock	2

Figure 7-11 CDS 4.8 Pump & Blower Assembly

D-3802 Rev L





## CDS 4.8 Pump &amp; Blower Assembly Parts List

Item	Part Number	Description	Qty
1	000-055-028	Frame, Pump And Blower	1
2	000-079-097	Assembly, Duraflow APO Pump - CDS (Fig. 7-14)	1
3	000-001-041	Adapter, Blower Inlet	1
4	000-001-042	Adapter, Blower Outlet - CDS 4.8	1
5	000-077-001	Key, #3 & #4 Vacuum Pump Drive	2
6	<b>Fig. 7-12</b>	Assembly, Pump - CDS 4.8	1
7	000-111-147	Blower, MD 4007	1
8	000-154-147	Spacer, Power Pack - Rear - CDS 4.8 Ford 2005+	1
9	000-154-146	Spacer, Power Pack - Front - CDS 4.8 Ford 2005+	1
10	000-008-020	Bearing, Pillow Block - 1-3/16" Bore	2
11	000-139-021	Snap Ring, 1-3/16" Shaft	2
12	000-150-040	Shaft, Drive Sprocket - CDS 4.8	1
13	000-052-505	Zerk Fitting, 1/8" MNPT Grease Fitting-Straight	2
14	000-109-022	Pulley, AK54 H Pump	1
15	000-020-019	Bushing, #H x 7/8" Bore	1
16	000-108-065	Protector, CAT Pump Belt Shield	1
17	000-015-801	Bracket, Blower Mounting - CDS 4.8	2
18	000-143-017	Screw, 3/8"-16UNC x 0.75" Lg. Hex Head Grd. 8	4
19	000-174-057	Washer, 3/8" Lock	3
20	000-143-018	Screw, 3/8"-16UNC x 1.00" Lg. Grade 8	4
21	000-174-004	Washer, 5/16" Flat	13
22	000-143-025	Screw, 3/8"-16UNC x 1.25" Lg. Hex Head Grd 8	4
23	000-094-100	Nut, 3/8"-16UNC Hex Nylock	5
24	000-143-012	Screw, 5/16"-18UNC x 0.75" Lg. Hex Head	4
25	000-174-002	Washer, 1/4" Flat	10
26	000-174-018	Washer, 5/16" Lock	9
27	000-143-013	Screw, 5/16"-18UNC x 1.00" Lg. Grade 8	5
28	000-174-017	Washer, 1/4" Lock	2
29	000-094-010	Nut, 1/4"-20UNC Hex	2
30	000-143-096	Screw, 3/8"-16UNC x 1.00" Lg. Hex Head	2

## CDS 4.8 Pump & Blower Assembly Parts List

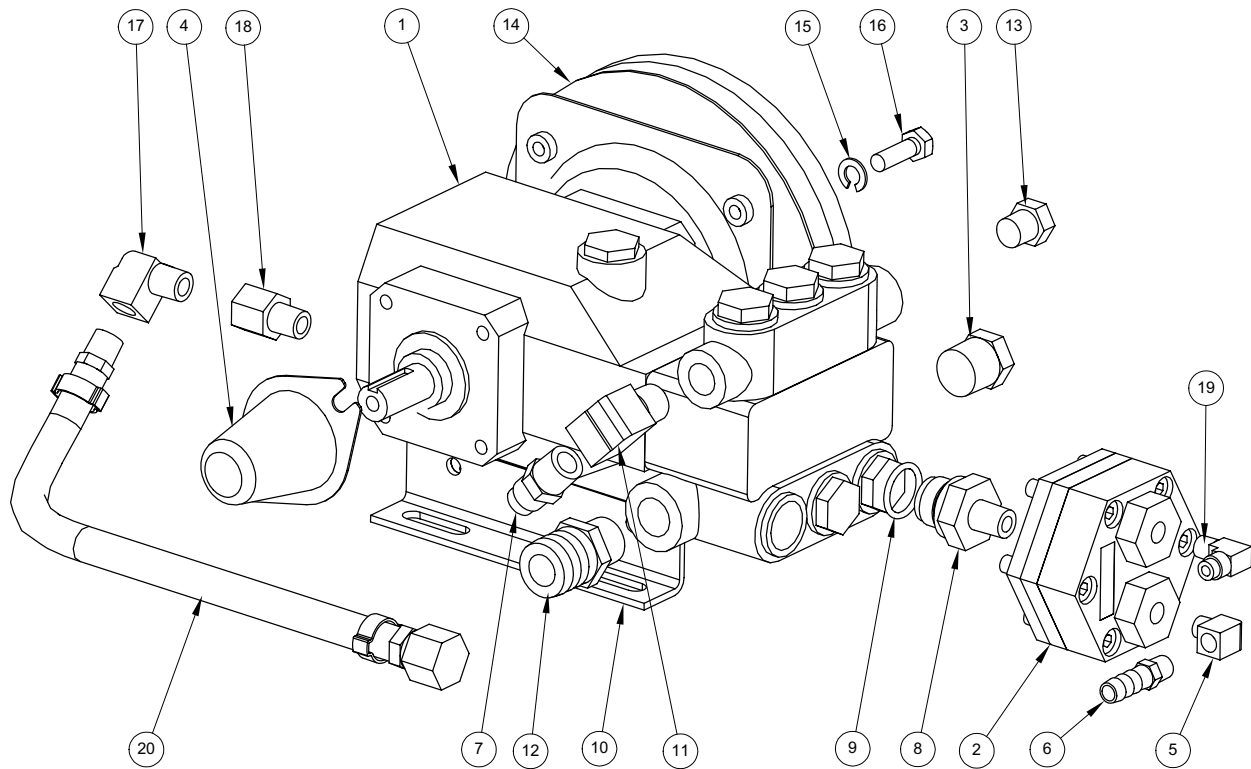
Item	Part Number	Description	Qty
31	000-143-260	Screw, 3/8"-16UNC x 8.00" Lg. Hex Head w/ 6" Threads	1
32	000-015-173	Bracket, CAT Pump Tensioner Plate	1
33	000-174-012	Washer, 1/2" SAE H/D Flat	4
34	000-143-240	Screw, 1/2"-13UNC x 1.75" Lg. Hex Head - Grade 5	4
35	000-094-037	Nut, 1/2"-13UNC Hex 2-Way Locking - Z/P	4
36	000-143-002	Screw, 1/4"-20UNC x 1.00" Lg. Hex Head	1
37	000-143-548	Screw, 1/4"-20UNC x 2.00" Lg. Hex Head	1
38	000-109-058	Pulley, 56 Tooth GT2 8MX-56S-21 Engine & Blower	1
39	000-020-020	Bushing, 7/8" Taper-Lock	1
40	000-020-026	Bushing, 1-1/8" Taper-Lock	1
41	000-109-009	Pulley, 2.75" x 0.88" Pump Drive	1
42	000-015-930	Bracket, Tach. Magnetic Extension N/S - CDS 4.6	1
43	000-149-010	Sensor, CDS Magnetic Tach.	1
44	000-174-003	Washer, 1/4" Flat	1
45	000-109-057	Pulley, 40 Tooth GT2 8MX-40S-21 Engine & Blower	1
46	000-010-052	Belt, Polychain GT	1
47	000-010-051	Belt, #9380 CAT Pump Drive	1
48	000-077-010	Key, 1/4" x 1-1/2" Lg. Class 2 Fit	1
49	000-052-293	Insert, #23 (1/8" NPT x 3/16" Barb)	3
50	000-052-057	Nipple, 1/8" NPT Close	1
51	000-052-084	Elbow, 1/8" NPT Street	1
52	000-052-079	Cross, 1/8" FPT	1
53	000-033-057	Clamp, 1" Cushion Loop	1
54	000-174-001	Washer, #10 Flat	1
55	000-143-132	Screw, #10-24UNC x 0.75" Lg. Hex Head	1
56	000-077-012	Key, 3/16" x 2.5" Lg. Class 2 Fit	1
57	000-068-030	Hose, 5/32" I.D. Vacuum - Bulk	1
58	000-052-061	Bushing, 3/8" NPT x 1/4" FPT	2
59	000-068-149	Hose, CDS Blower Oil Drain	1
60	000-068-149	Hose, CDS Blower Oil Drain	1

**CDS 4.8 Pump & Blower Assembly Parts List**

<b>Item</b>	<b>Part Number</b>	<b>Description</b>	<b>Qty</b>
61	000-094-012	Nut, 5/16-18"UNC Hex	2
62	000-154-153	Spacer, Tach. Sensor - CDS 4.8	1
63	000-143-373	Screw, 1/4"-20UNC x 2" Lg. Hex Head Grd 5	1
64	000-052-083	Elbow, 3/8" NPT Street x 45°	1
65	000-174-021	Washer, 3/8" Lock	8

Figure 7-12 **CDS 4.6/4.8 Pump Assembly**

C-5493 Rev A

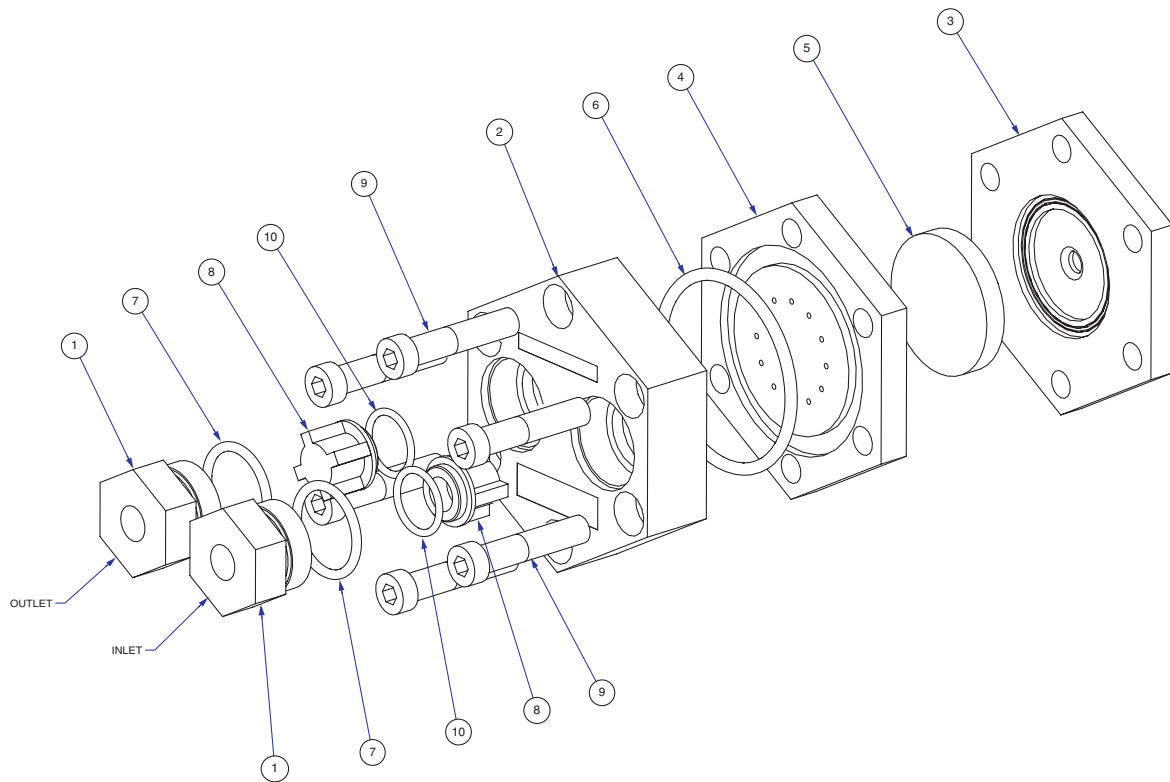


## CDS 4.6/4.8 Pump Assembly Parts List

Item	Part Number	Description	Qty
1	000-111-070	Pump, 4 GPM CAT Hi Temp. Plunger	1
2	000-111-035	Assembly, Chemical Pump <b>(Fig. 7-13)</b>	1
3	000-106-004	Plug, 1/2" NPT Hex	1
4	000-108-055	Protector, CAT 3CP Shaft	1
5	000-052-084	Elbow, 1/8" NPT Street	1
6	000-052-099	Insert, #26 (1/8" NPT x 3/8" Barb)	1
7	000-052-128	Nipple, 3/8" NPT x 3/8" Male Propane	1
8	000-001-082	Adapter, Chemical Pump To CAT 3CP	1
9	000-097-057	O-Ring, Adapter - Chemical Pump	1
10	000-114-003	Rail, Angle CAT 3CP	1
11	000-052-086	Elbow, 3/8" NPT Street	1
12	000-052-753	Insert, #816 (1/2" NPT x 1" Barb)	1
13	000-106-003	Plug, 3/8" NPT Hex	1
14	000-036-006	Clutch, Pump - CDS 4.8/ Maxx	1
15	000-174-018	Washer, 5/16" Lock	1
16	000-143-187	Screw, 8mm x 25mm Lg. Grade. 10.9 Hex Head	1
17	000-052-085	Elbow, 1/4" NPT Street	1
18	000-052-062	Bushing, 1/4" NPT x 1/4" FPT	1
19	000-052-531	Elbow, 1/8" NPT x 1/4" SAE	1
20	000-068-149	Hose, CDS Blower Oil Drain	1

Figure 7-13 CDS 4.6/4.8 Chemical Pump Assembly

C-4416 Rev B

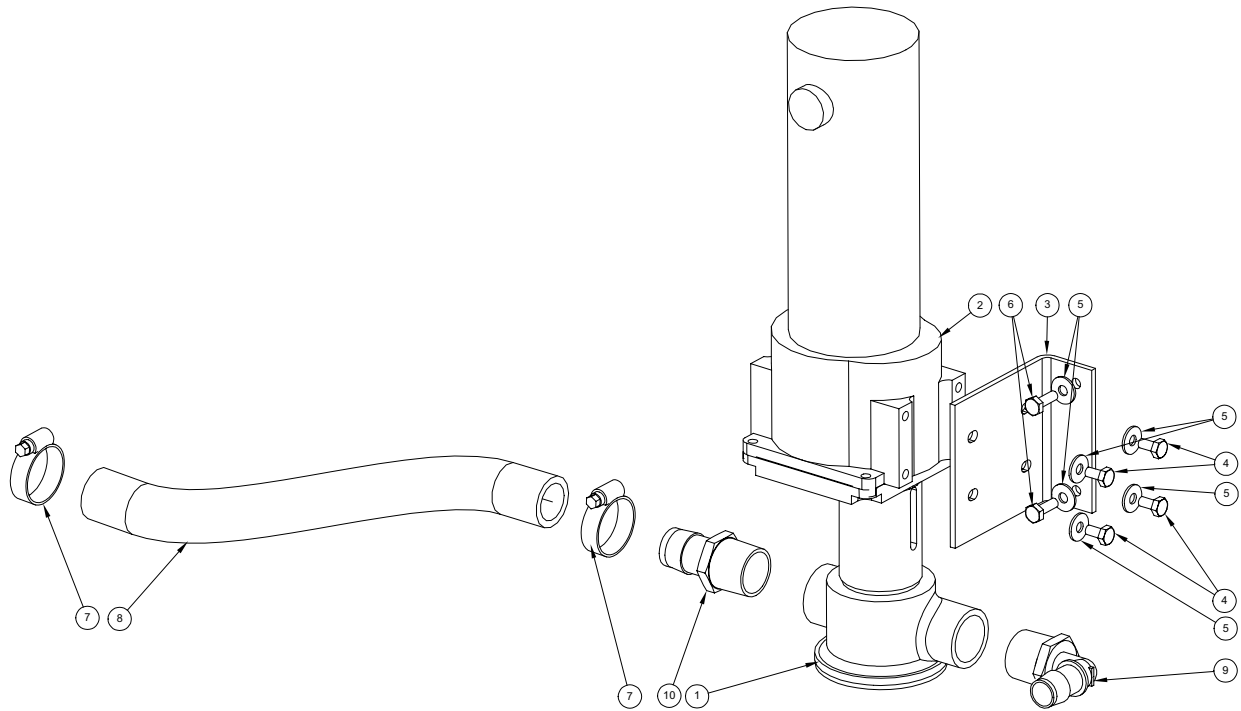


### CDS 4.6/4.8 Chemical Pump Assembly Parts List

Item	Part Number	Description	Qty
1	000-106-110	Plug, Check Valve - Chemical Pump	2
2	000-064-015	Cover, Chemical Pump	1
3	000-111-030	Body, Chemical Pump	1
4	000-105-071	Mid Plate, Chemical Pump	1
5	000-046-010	Diaphragm, Chemical Pump	1
6	000-097-055	O-Ring, Chemical Pump Midplate An Size -227 Viton	1
7	000-097-056	O-Ring, Check Valve Plug - Chemical Pump	2
8	000-169-155	Valve, Check - Last Step Chemical Injection	2
9	000-143-152	Screw, 5/16"-24UNF x 1.50" Lg. Socket Head	6
10	000-097-054	O-Ring, Chem. Pump Valve Viton-Parker 2-114	2

Figure 7-14 CDS 4.6/4.8 DuraFlow APO Pump Assembly

D-5984 Rev B

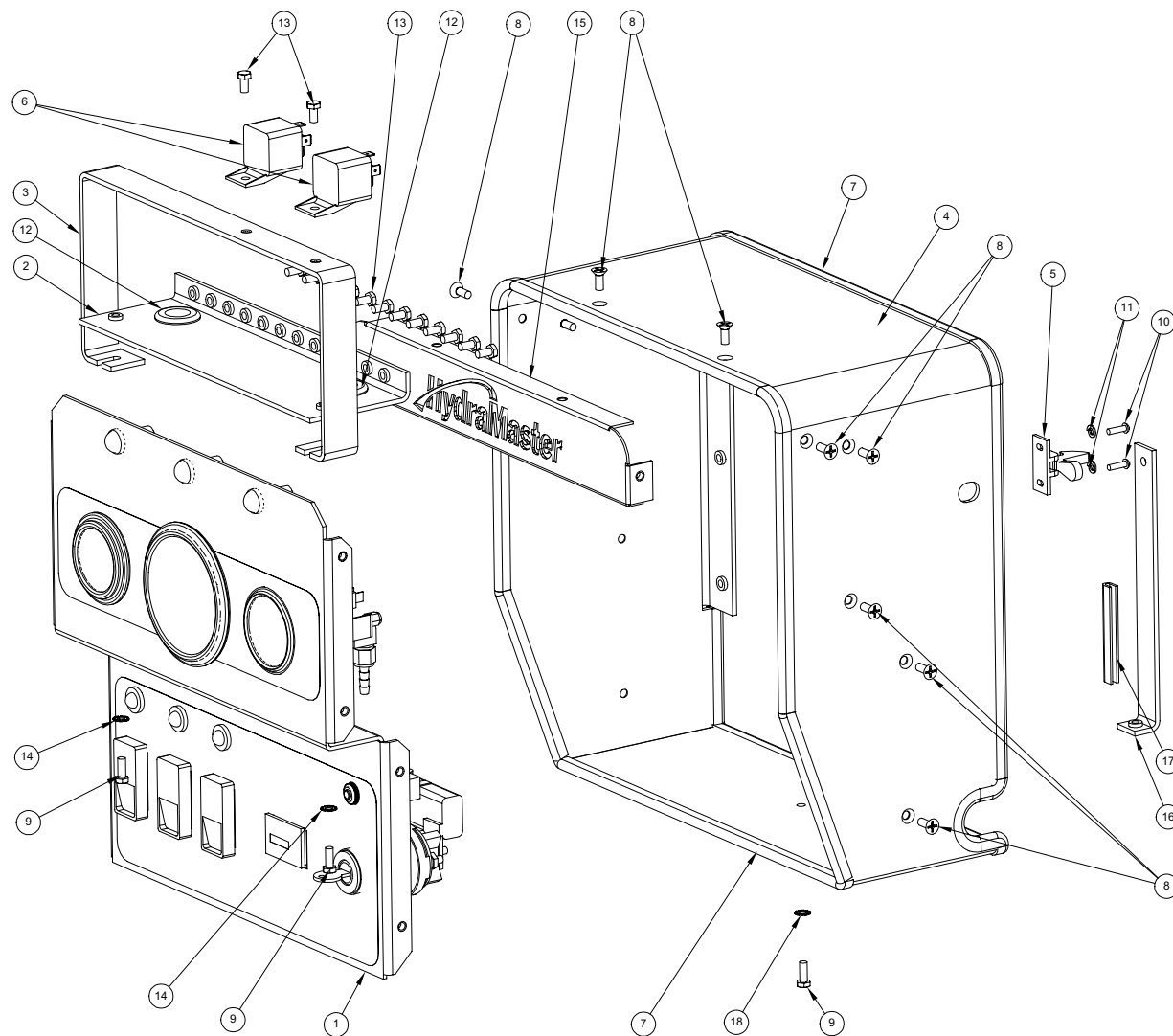


**CDS 4.6/4.8 DuraFlow APO Pump Assembly Parts List**

Item	Part Number	Description	Qty
1	000-111-169	Assembly, APO Pump - Jabsco	1
2	000-091-042	Motor, Bison 438 Series	1
3	000-015-908	Bracket, CDS Duraflow Power Pack	1
4	000-143-074	Screw, 1/4-20 x 1/2" Self Tapping	4
5	000-174-002	Washer, 1/4" Flat	6
6	000-143-001	Screw, 1/4"-20UNC x 0.75" Lg. Hex Head	2
7	000-033-020	Clamp, Size #16 Hose	2
8	000-068-528	Hose, 1" I.D. Reinforced	1
9	000-052-757	Insert, 1" NPT x 3/4" Elbow	1
10	000-052-758	Insert, 1" NPT x 1" Barb	1

Figure 7-15 CDS 4.8 Dash Assembly

D-3932 Rev E

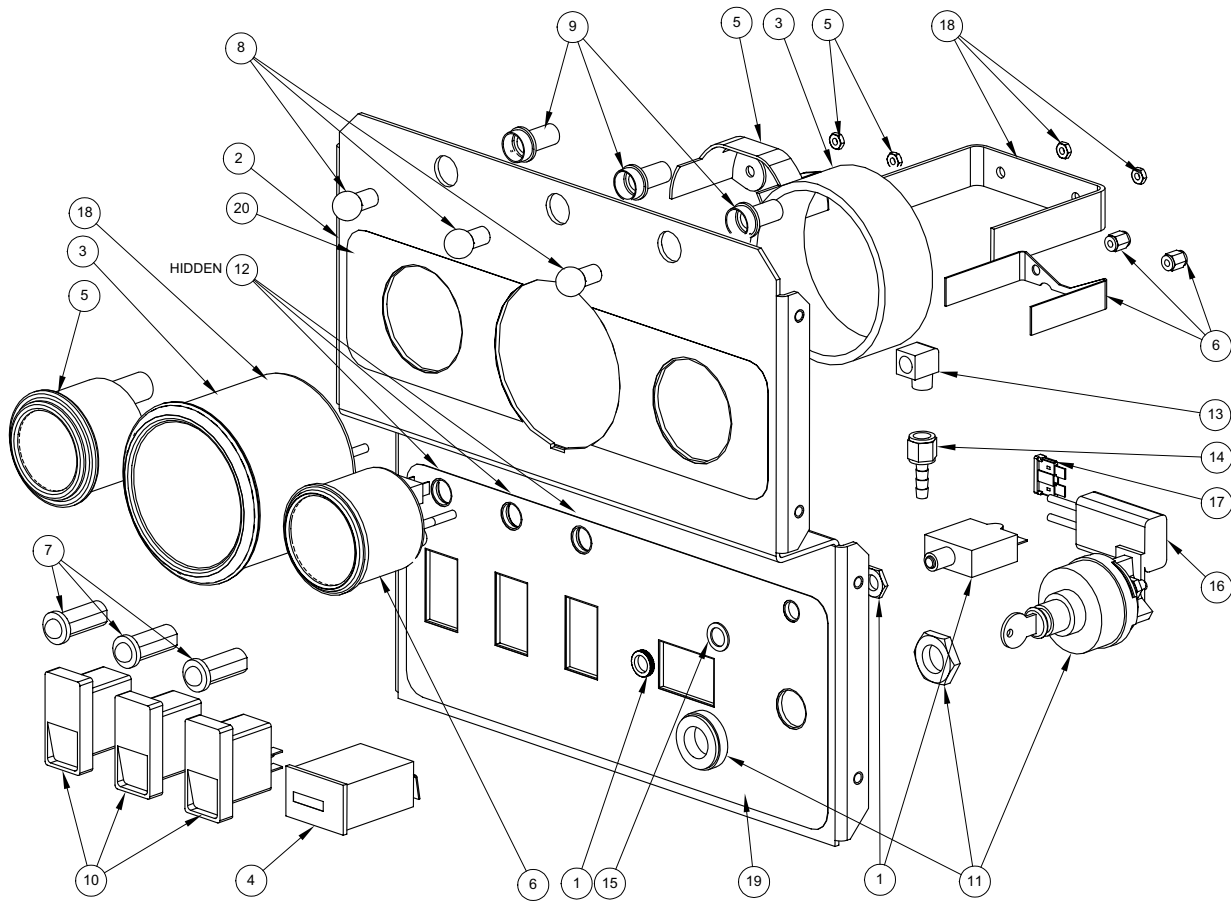




## CDS 4.8 Dash Assembly Parts List

Item	Part Number	Description	Qty
1	<b>Fig. 7-16</b>	Dash Panel Assembly - CDS 4.8	1
2	000-015-183	Bracket, Grounding Bus	1
3	000-015-184	Bracket, Relay Mounting	1
4	000-013-025	Dash Box, Painted	1
5	000-086-104	Latch, Dash Securing	1
6	000-157-022	Switch, Relay	2
7	000-131-027	Trimlock, 1/8" Id x 3/8"	1
8	000-143-114	Screw, #10-24UNC x 0.50" Lg. Flat Head	12
9	000-143-126	Screw, #10-24UNC x 0.50" Lg. Hex Head	3
10	000-143-046	Screw, #6-32UNC x 0.50" Lg. Pan Head	2
11	000-174-043	Washer, #6 Lock	2
12	000-060-002	Grommet, Large Wiring	2
13	000-143-166	Screw, #10-24UNC x 0.38" Lg. Hex Head	14
14	000-175-015	Washer, #10 Outside Star	2
15	000-105-053	Plate, Dash Name - HM	1
16	000-015-175	Bracket, Dash Box Support	1
17	000-131-027	Trimlock, 1/8" I.D. x 3/8"	1
18	000-174-015	Washer, #10 Outside Star	1

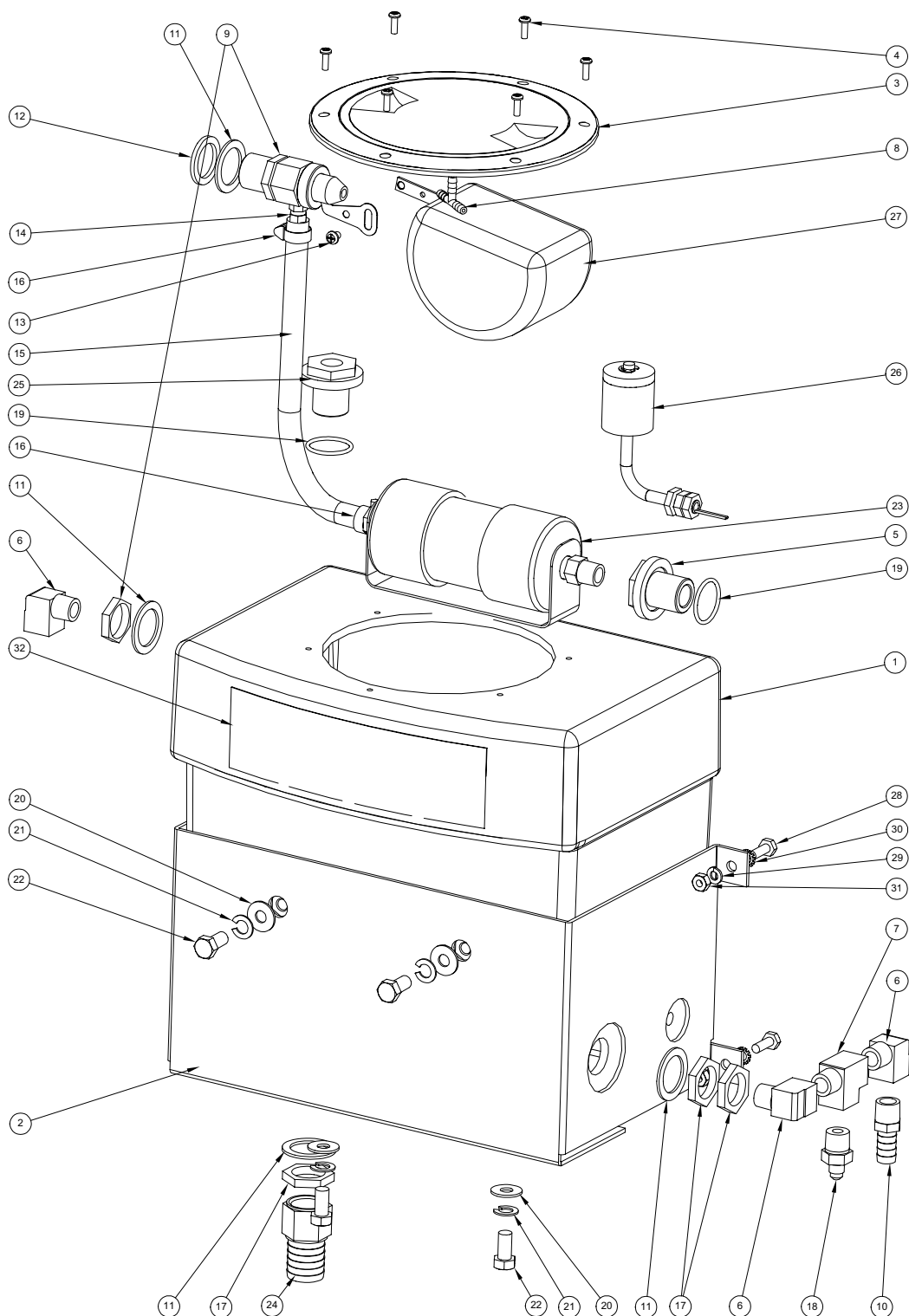
Figure 7-16 CDS 4.8 Dash Panel Assembly  
C-3820 Rev G



## CDS 4.8 Dash Panel Assembly Parts List

Item	Part Number	Description	Qty
1	000-018-004	Breaker, 25 AMP Circuit	1
2	000-100-070	Panel, Dash - CDS 4.8	1
3	000-074-034	Gauge, Tach. Mag Pick Up 3-3/8" Dial Chev 03+	1
4	000-074-018	Meter, Rectangular w/o Bezel	1
5	000-074-016	Gauge, Temperature	1
6	000-074-006	Gauge, Vacuum	1
7	000-084-015	Lamp, 12V 2W Round Red Indicator	3
8	000-084-004	Lamp, Replacement Guage	3
9	000-084-009	Lamp, Socket - Dashboard	3
10	000-157-040	Switch, 20 AMP Rocker	3
11	000-157-008	Switch, Ignition	1
12	000-033-049	Clamp, Indicator Lamp	3
13	000-052-084	Elbow, 1/8" NPT Street	1
14	000-052-096	Insert, #F23 (1/8" FPT x 3/16" Barb)	1
15	000-174-052	Washer, 3/8" Flat	1
16	000-056-006	Fuse Holder, Inline Weather Proof	1
17	000-056-003	Fuse, 15 AMP Plug In	1
18	000-074-019	Guage, Tach. 99+ Ford & 97-02 Chev	1
19	000-081-099	Label, Lower Dash - CDS 4.8	1
20	000-081-099	Label, Upper Dash - CDS 4.8	1

Figure 7-17 CDS 4.6/4.8 Water Box Assembly  
D-6990 Rev A

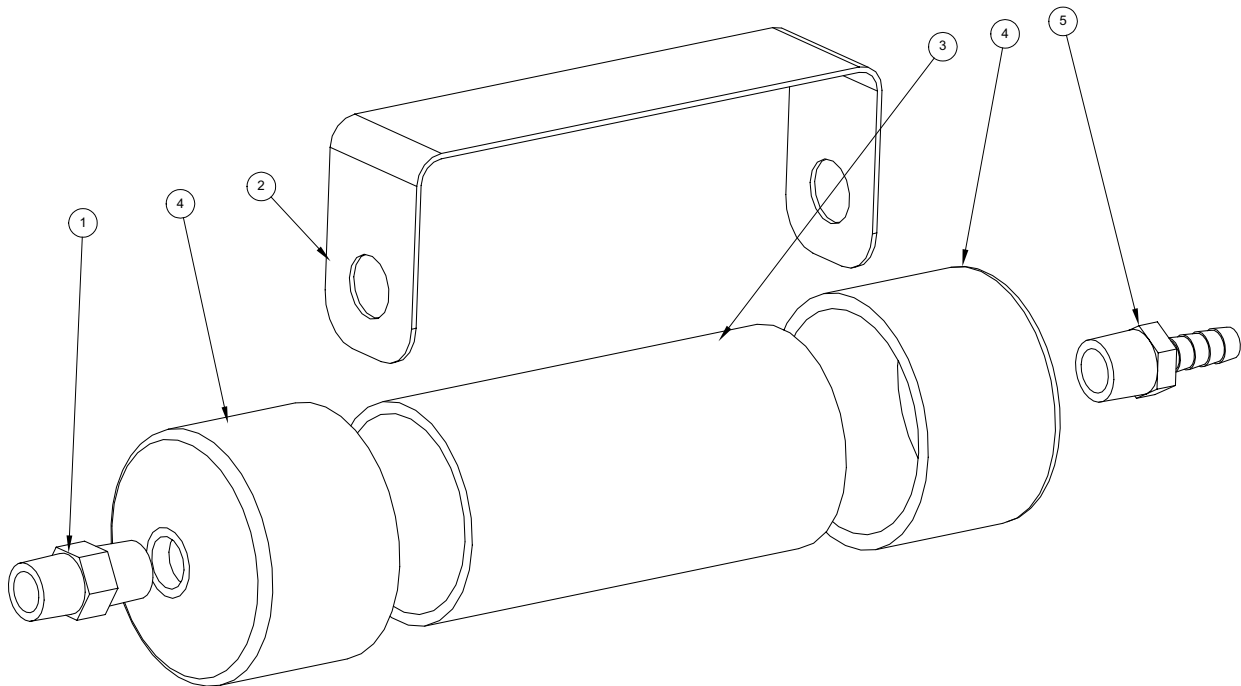


---

**CDS 4.6/4.8 Water Box Assembly Parts List**

Item	Part Number	Description	Qty
1	000-159-107	Tank, Poly Water Box - Modified	1
2	000-015-938	Bracket, Water Box Mounting (4 Gallon)	1
3	000-041-005	Cover, 6"	1
4	000-143-314	Screw, #8 x 1/2" Lg. Pan Head	6
5	000-052-660	Bulkhead, 3/8" FPT x 3/8" FPT	1
6	000-052-086	Elbow, 3/8" NPT Street	3
7	000-052-023	Tee, 3/8" NPT Male Street	1
8	000-052-155	Tee, 3/16" Plastic Vacuum Insert	1
9	000-169-167	Valve, Mechanical Incoming Water - Water Box	1
10	000-052-105	Insert, #68 (3/8" NPT x 1/2" Barb)	1
11	000-174-063	Washer, 1.5" O.D. x 1.073" I.D. x 0.075" Thk.	4
12	000-057-052	Gasket, 1" Garden Hose	1
13	000-143-336	Screw, #10-32UNF x 0.25" Lg. Pan Head Phillips	1
14	000-052-099	Insert, #26 (1/8" NPT x 3/8" Barb)	1
15	000-068-326	Hose, 3/8" I.D. Clear w/ Braid Solution	1
16	000-033-005	Clamp, Size #5 Hose	2
17	000-094-097	Nut, 1-14" Brass Water Box	3
18	000-052-662	Nipple, 3/8" NPT x 1/4" M SAE	1
19	000-097-041	O-Ring, 1/2" Bulkhead	2
20	000-174-032	Washer, 3/8" Flat	4
21	000-174-057	Washer, 3/8" Lock	4
22	000-143-017	Screw, 3/8"-16UNC x 0.75" Lg. Hex Head Grd. 8	4
23	000-049-151	Assembly, Diffuser Filter <b>(Fig. 7-18)</b>	1
24	000-052-754	Insert, #F816 (1/2" FPT x 1" Barb)	1
25	000-052-728	Bulkhead, 1/2" FPT x 3/8" FPT	1
26	000-157-0801	Assembly, Float Switch w/ Polypropylene Barrel	1
27	000-005-007	Float, Water Box	1
28	000-143-001	Screw, 1/4"-20UNC x 0.75" Lg. Hex Head	4
29	000-174-017	Washer, 1/4" Lock	4
30	000-174-039	Washer, 1/4" Outside Star	4
31	000-094-010	Nut, 1/4"-20UNC Hex	4
32	000-081-252	Label, Water Box	1

Figure 7-18 CDS 4.6/4.8 Diffuser Filter Assembly  
C-6554 Rev -

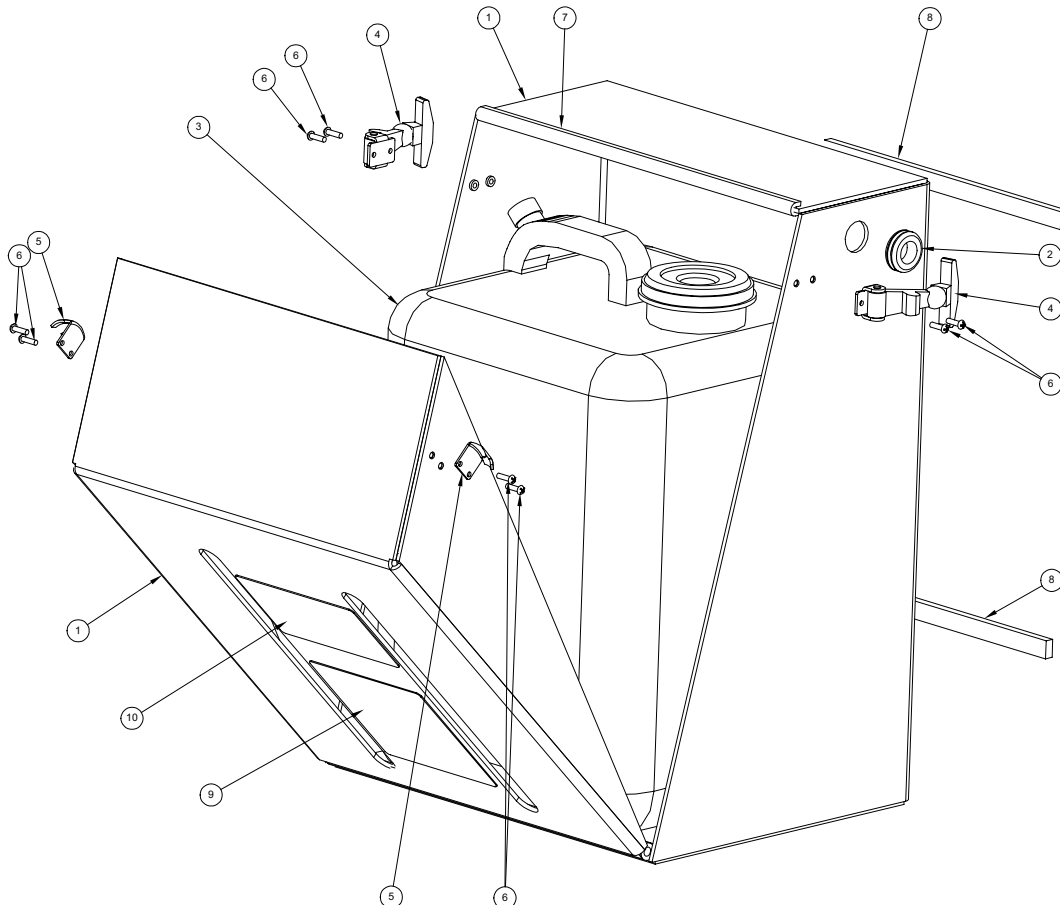


### Diffuser Filter Assembly Parts List

Item	Part Number	Description	Qty
1	000-052-074	Nipple, 3/8" NPT Hex	1
2	000-033-131	Clamp, Diffuser - Boxxer 427	1
3	000-125-222	Tube, Diffuser - Boxxer 427	1
4	000-027-115	Cap, 2" PVC Modified For Diffuser - Boxxer 427	2
5	000-052-104	Insert, #66 (3/8" NPT x 3/8" Barb)	1

Figure 7-19 CDS 4.8 Soap Jug Tray Assembly

D-4178 Rev C

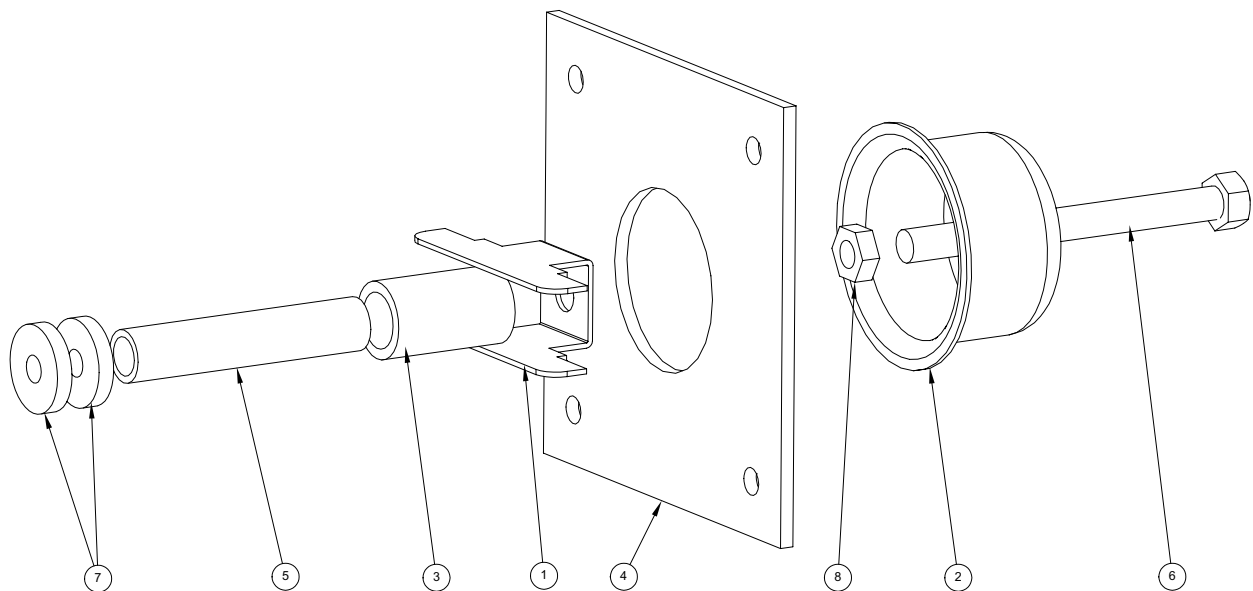


CDS 4.8 Soap Jug Tray Assembly Parts List

Item	Part Number	Description	Qty
1	000-166-029	Soap Jug Tray - Weldment - CDS 4.8	1
2	000-060-002	Grommet, Large Wiring	1
3	000-159-016	Jug, 5 Gallon Plastic Chemical - Standard	1
4	000-086-008	Latch, Bungie	2
5	000-086-008	Latch, Bungie - Strike	2
6	000-143-046	Screw, #6-32UNC x 0.50" Lg. Pan Head	8
7	000-131-027	Trimlock, Crossfire Brow - 3/8"	1
8	000-057-026	Gasket, 1/2" x 18-1/8" Lg. x 1/4" (Cut In Half)	2
9	000-081-252	Label, ANSI Warning - Large	1
10	000-081-252	Label, ANSI Warning - Park Position - Machine	1

Figure 7-20 CDS 4.6/4.8 Vacuum Relief Valve Assembly

C-6894 Rev -

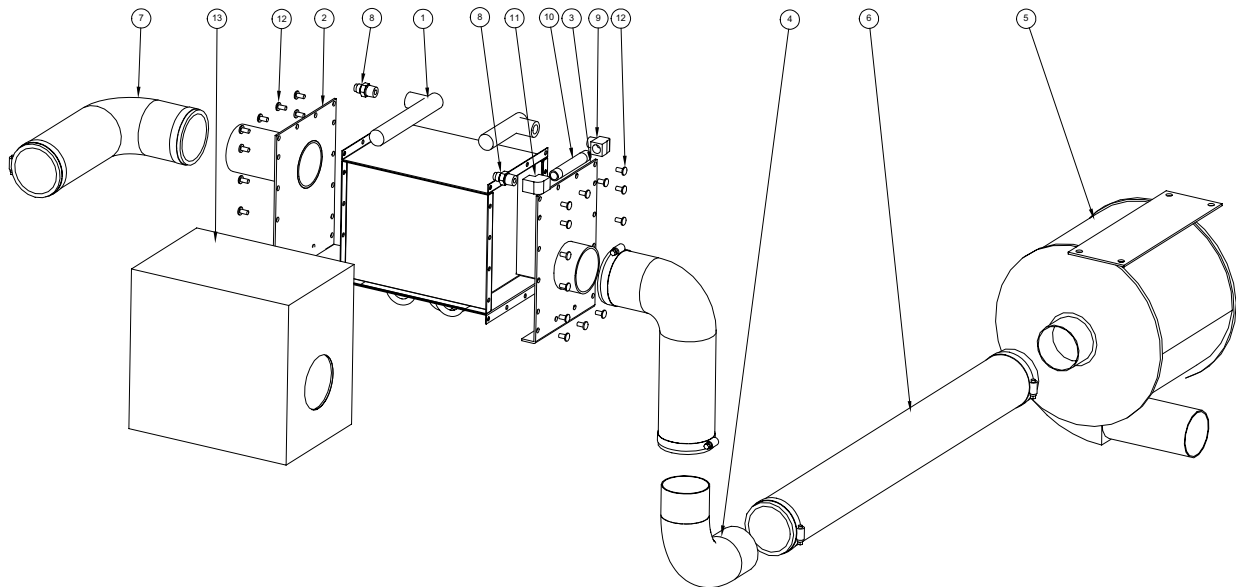


## CDS 4.6/4.8 Vacuum Relief Valve Assembly Parts List

Item	Part Number	Description	Qty
1	000-015-182	Bracket, Vacuum Relief Valve	1
2	000-027-032	Cap, Vacuum Relief Valve	1
3	000-125-111	Pipe, Vacuum Relief Spring Guide	1
4	000-105-332	Plate, Vacuum Relief Valve Mounting - Universal Recov	1
5	000-155-026	Spring, Vacuum Relief	1
6	000-143-198	Screw, 3/8"-16UNC x 4" Lg. Hex Head Full Thread	1
7	000-094-077	Nut, 3/8"-16UNC x 1.00" O.D. Knurled	2
8	000-094-101	Nut, 3/8"-16UNC Hex Jam	1



Figure 7-21 CDS 4.6/4.8 Salsa & Silencer 2005+ Assembly  
D-5954 Rev -



**CDS 4.6/4.8 Salsa & Silencer 2005+ Assembly Parts List**

Item	Part Number	Description	Qty
1	000-038-053	Core, Blower Heat Exchanger - Boxxer 421	1
2	000-100-154	Panel, Salsa Inlet - Weldment - CDS 4.8	1
3	000-100-155	Panel, Salsa Outlet - Weldment - CDS 4.8	1
4	000-052-649	Tube, 3" OD x 0.065 Wall 4.5" R w/ 2" Tangents	1
5	000-093-030	Silencer, 3" Inlet And Outlet	1
6	000-068-187	Hose, 3" x 30" Lg. Nitrile	1
7	000-052-674	Elbow, 3" Rubber w/ Clamps	2
8	000-052-528	Nipple, 3/8" M JIC x 3/8" NPT	2
9	000-052-086	Elbow, 3/8" NPT Street	1
10	000-052-408	Nipple, 3/8" NPT x 4" Lg.	1
11	000-052-142	Elbow, 3/8" FPT x FPT	1
12	000-140-021	Rivet, 1/4" Blind x 0.50" Lg.	32
13	000-108-140	Protector, Salsa Insulation - CDS 4.8	1

# CDS 4.6 Machine Assemblies & Parts

Figure 7-22 CDS 4.6 Machine Assembly - Front View  
D-7144 Rev -

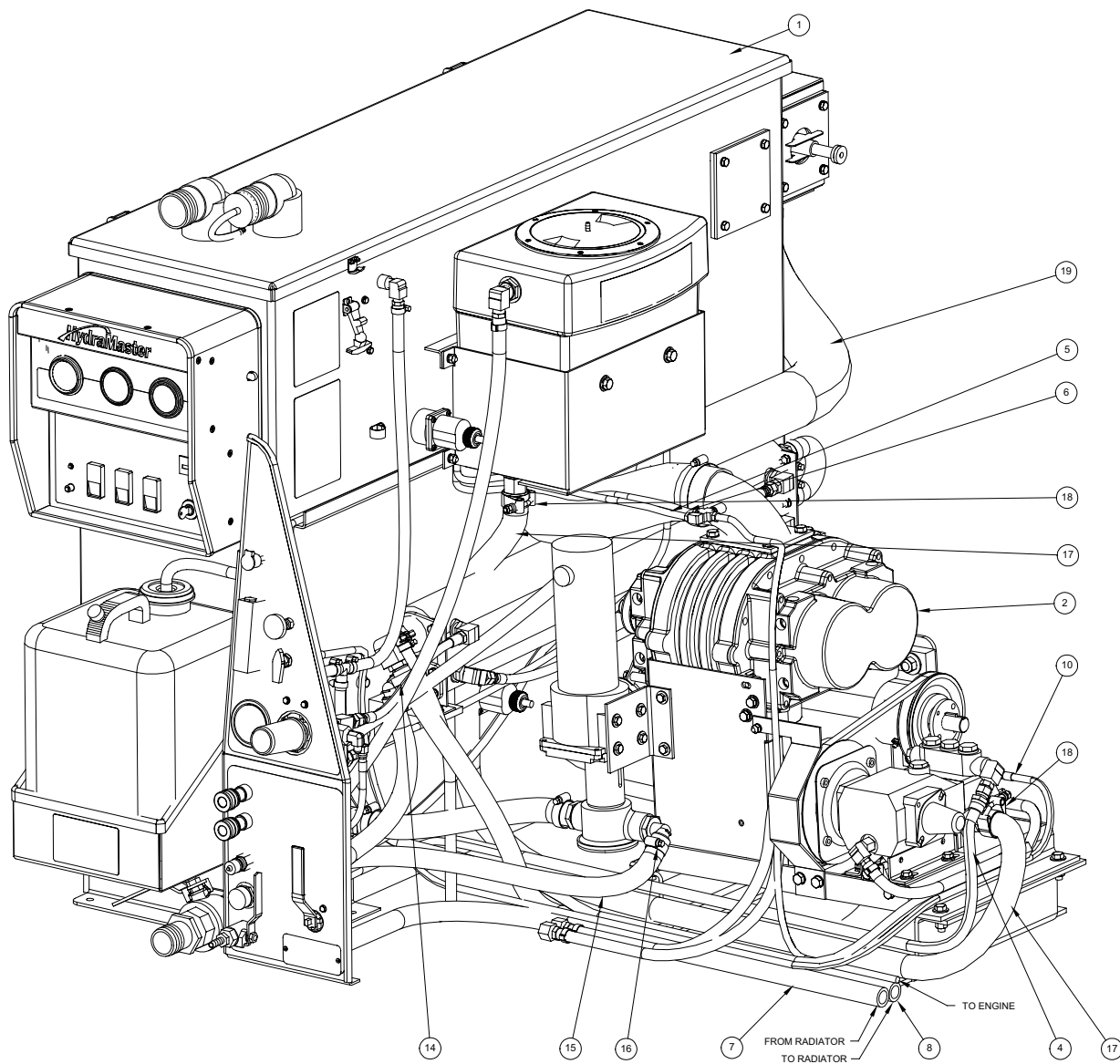
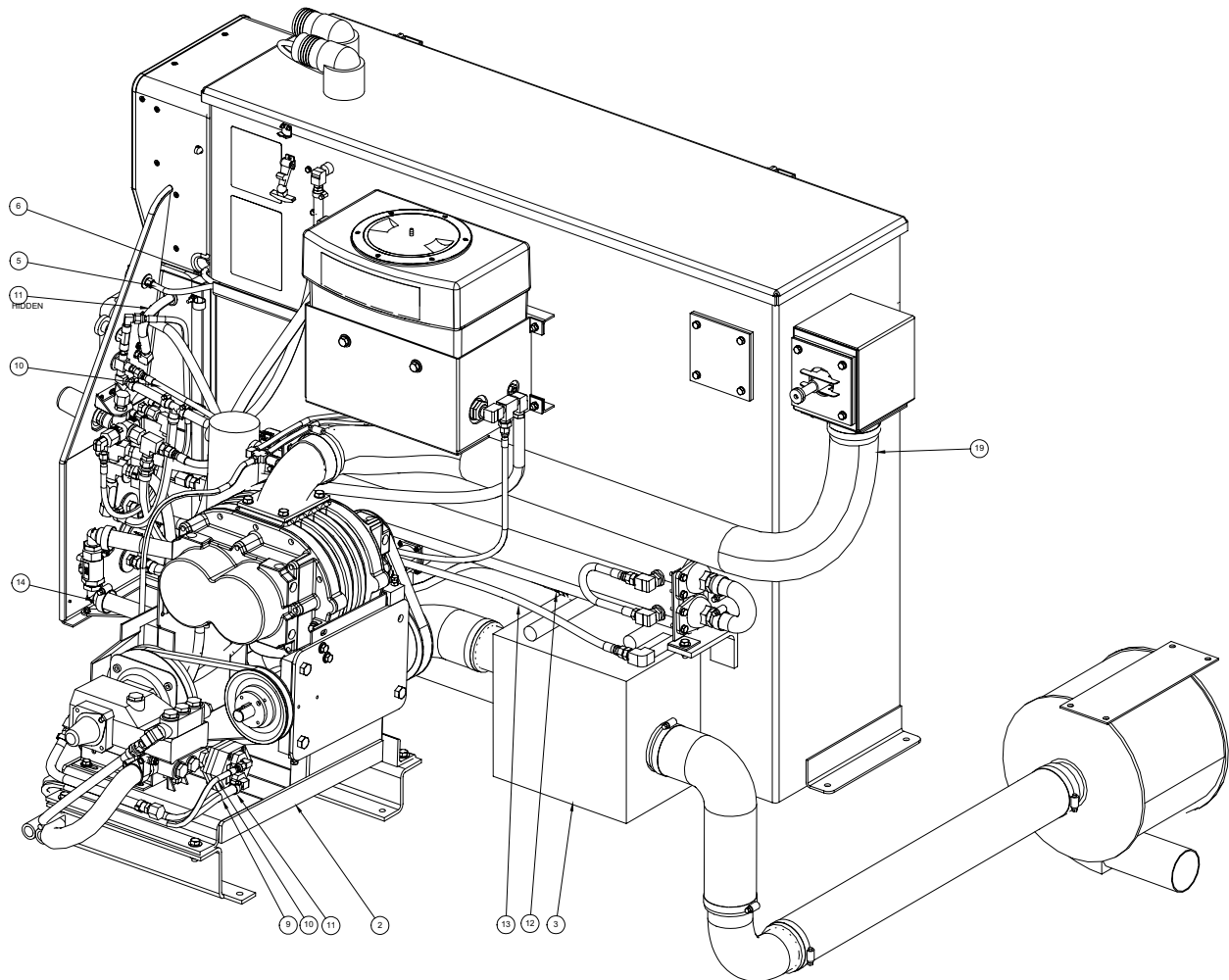


Figure 7-23 CDS 4.6 Machine Assembly - Rear View  
D-7144 Rev -



## CDS 4.6 Machine Assembly Parts List

Item	Part Number	Description	Qty
1	<b>Fig. 7-24 &amp; 7-25</b>	Assembly, Recovery Tank - CDS 4.6	1
2	<b>Fig. 7-26</b>	Assembly, Pump & Blower - CDS 4.6	1
3	000-079-077	Assembly, Salsa 2005+ CDS ( <b>Fig. 7-21</b> )	1
4	000-052-756	Hose, 3/8" x 36" Lg. Throb - CDS	1
5	000-068-030	Hose, 5/32" I.D. Vacuum - Bulk	1
6	000-068-030	Hose, 5/32" I.D. Vacuum - Bulk	1
7	000-068-459	Hose, 3/4" I.D. Green Stripe - Bulk	1
8	000-068-459	Hose, 3/4" I.D. Green Stripe - Bulk	1
9	000-068-085	Hose, 3/8" Hi Temp Black - Bulk	1
10	000-068-706	Hose, 3/16" x 70" Lg. Teflon w/ F JIC Ends	1
11	000-033-005	Clamp, Size #5 Hose	2
12	000-068-755	Hose, 3/8" x 31" Lg. Teflon w/ 3/8" JIC Ends	1
13	000-068-755	Hose, 3/8" x 31" Lg. Teflon w/ 3/8" JIC Ends	1
14	000-033-020	Clamp, Size #16 Hose	2
15	000-068-069	Hose, 3/4" I.D. Parker GST II - Bulk	1
16	000-033-026	Clamp, Size #10 Hose	2
17	000-068-777	Hose, 1" x 45" Lg. Suction	1
18	000-033-132	Clamp, 1-1/2" T-Bolt	2
19	000-068-772	Hose, Ø2.5" x 51" Lg. Flexible Wire Reinforced	1

Figure 7-24 CDS 4.6 Recovery Tank Assembly - Front View  
D-6978 Rev -

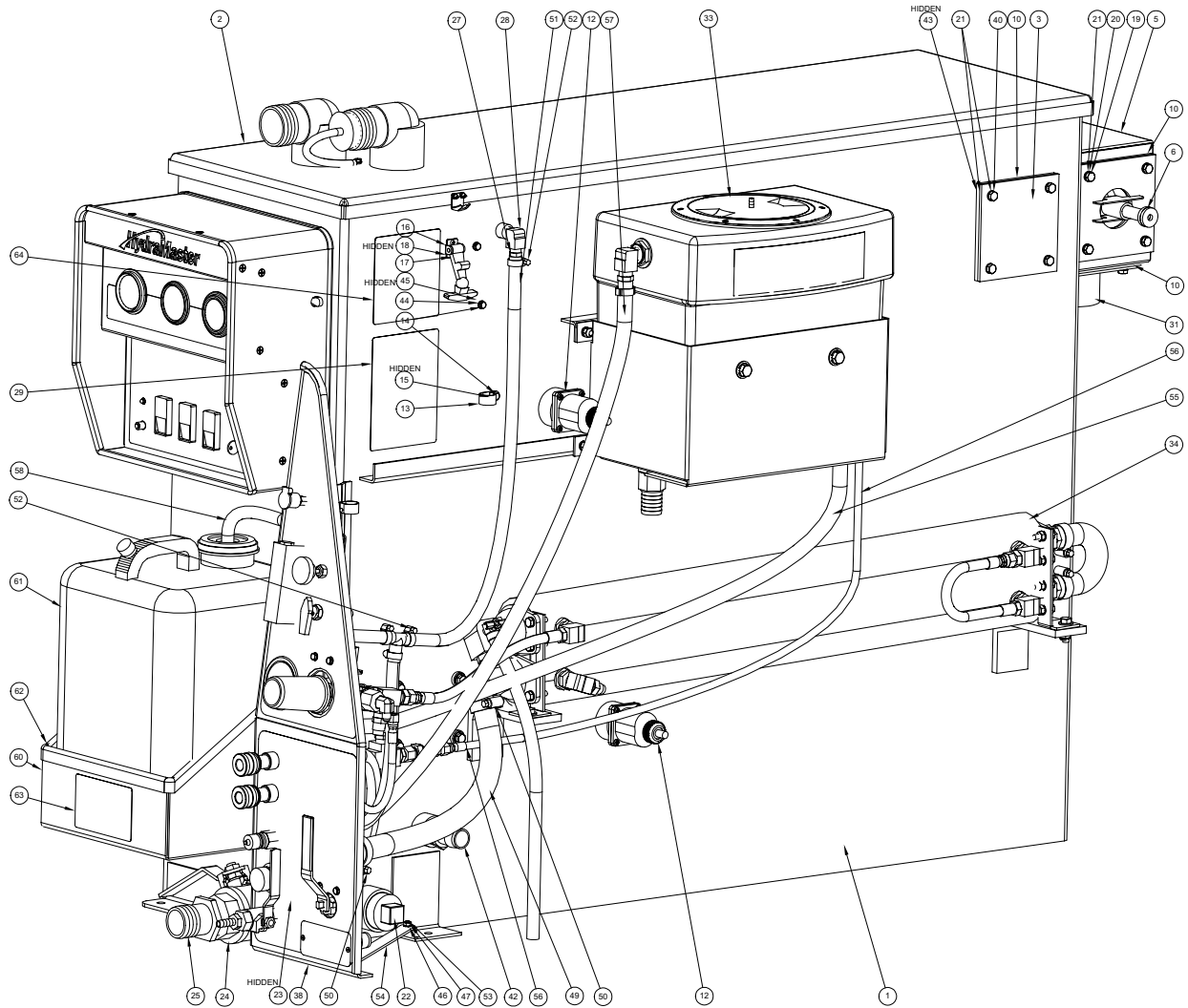
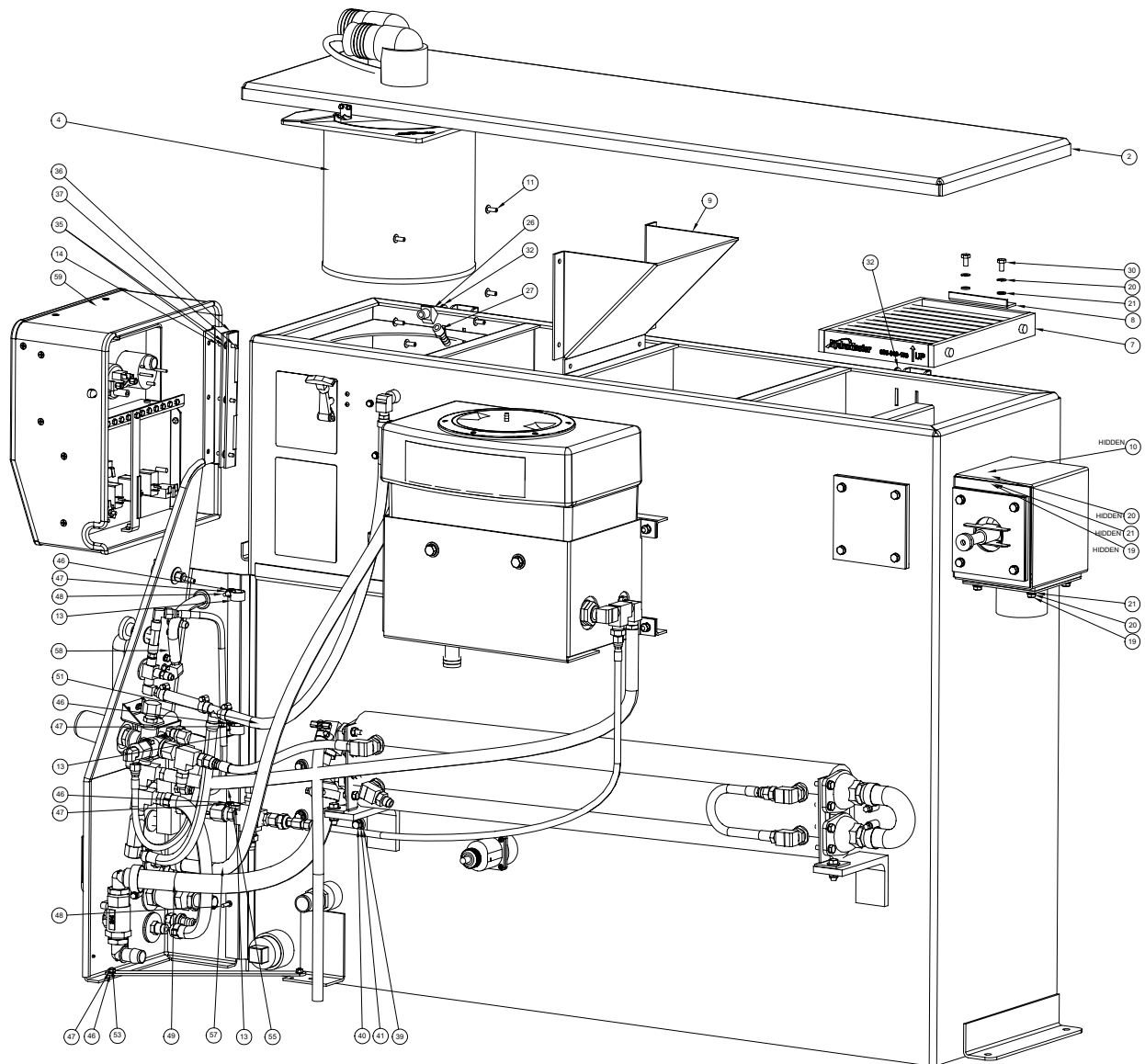


Figure 7-25 CDS 4.6 Recovery Tank Assembly - Rear View  
D-6978 Rev -



### CDS 4.6 Recovery Tank Assembly Parts List

Item	Part Number	Description	Qty
1	000-159-130	Tank, 100 Gallon CDS Universal Recovery - Weldment	1
2	<b>Fig. 7-5</b>	Assembly, Recovery Tank Cover - 100 Gallon CDS	1
3	000-105-336	Plate, Vacuum Port Cover - 100 Gallon Universal Recovery T	1
4	000-049-152	Filter, Recovery Tank Basket	1

## CDS 4.6 Recovery Tank Assembly Parts List

Item	Part Number	Description	Qty
5	000-013-070	Box, Vacuum Relief Valve - Universal Recovery Tank	1
6	<b>Fig. 7-20</b>	Assembly, Vacuum Relief Valve	1
7	000-049-153	Filter, Flat - Recovery Tank	1
8	000-015-932	Bracket, Flat Filter Securing - Universal Recovery Tank	1
9	000-049-154	Deflector, Air - Universal Recovery Tank	1
10	000-057-206	Gasket, Adapter - Universal Recovery Tank	4
11	000-140-023	Rivet, AB8-6A Aluminum Pop	6
12	000-157-090	Float, Lever Switch	2
13	000-033-023	Clamp, 3/4" Nylon Hose	4
14	000-143-126	Screw, #10-24UNC x 0.50" Lg. Hex Head	6
15	000-094-059	Nut, #8-32UNF Nylock	1
16	000-086-008	Latch, Bungie	1
17	000-143-539	Screw, #6-32UNC x 0.50" Lg. Button Head Allen	2
18	000-094-063	Nut, #6-32UNC Nylock	2
19	000-143-001	Screw, 1/4"-20UNC x 0.75" Lg. Hex Head	12
20	000-174-019	Washer, 1/4" Lock	14
21	000-174-003	Washer, 1/4" Flat	22
22	000-106-019	Plug, 1-1/2" NPT	1
23	000-052-763	Nipple, 1-1/2" IPS Close s/s	1
24	000-169-022	Valve, 1-1/2" Full Port Ball	1
25	000-052-226	Insert, 1-1/2" NPT x 1-1/2" Barb (Grey)	1
26	000-052-082	Elbow, 1/4" NPT Street x 45°	1
27	000-052-102	Insert, #46 (1/4" NPT x 3/8" Barb)	2
28	000-052-085	Elbow, 1/4" NPT Street	1
29	000-081-252	Label, Maintenance & Lubrication Schedule	1
30	000-143-333	Screw, 1/4"-20UNC x 0.50" Lg. Hex Head	2
31	000-001-132	Adapter, Tank To Ø3.0" Blower Hose - Universal Recovery T	1
32	000-174-029	Washer, 3/8" Rubber Back	2
33	<b>Fig. 7-17</b>	Assembly, Water Box	1
34	<b>Fig. 7-10</b>	Assembly, Dual Heat Exchanger	1

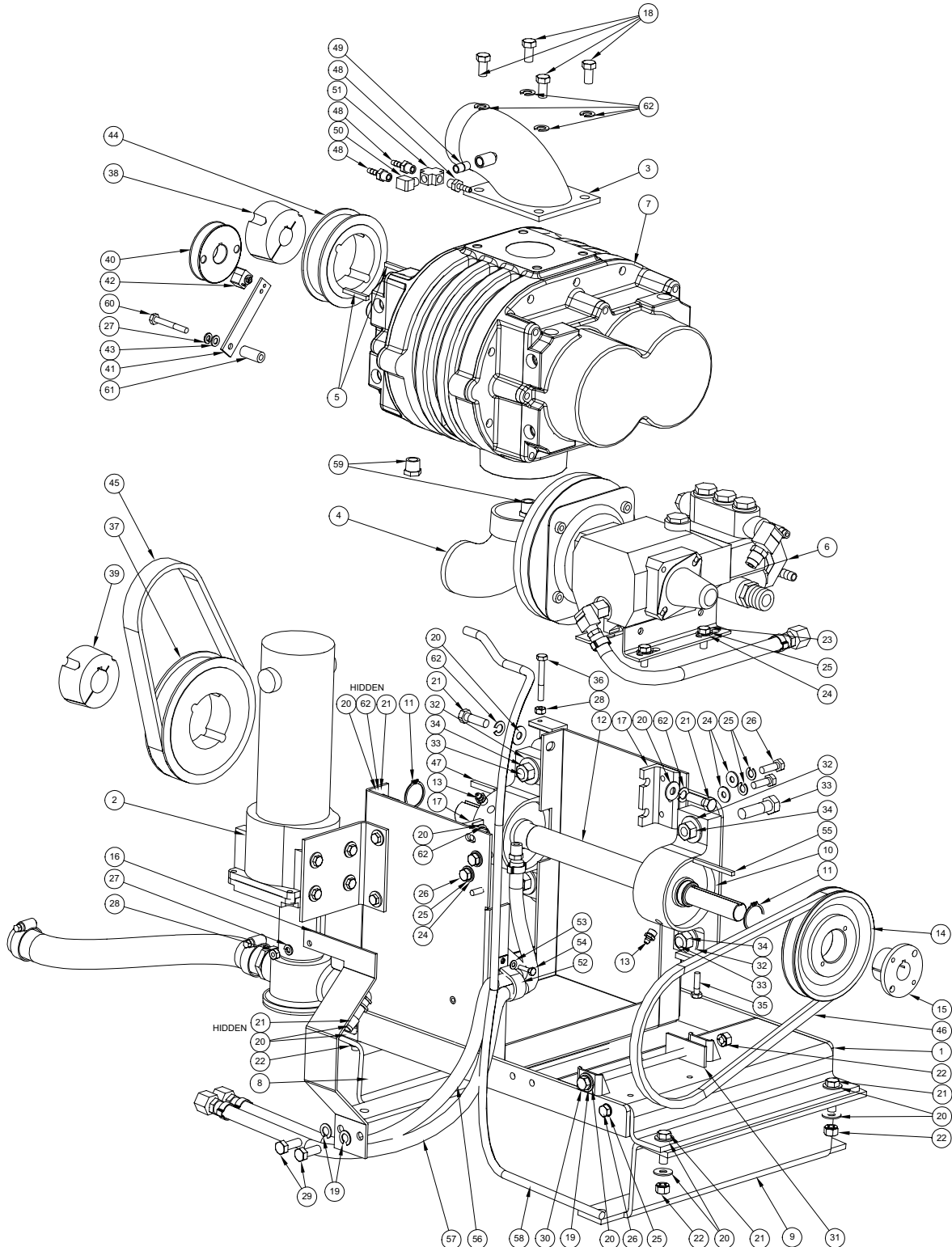


## CDS 4.6 Recovery Tank Assembly Parts List

Item	Part Number	Description	Qty
35	000-174-001	Washer, #10 Flat	6
36	000-067-031	Hinge, Dash Box	1
37	000-143-166	Screw, #10-24UNC x 0.38" Lg. Hex Head	3
38	<b>Fig. 7-6 &amp; 7-7</b>	Assembly, Instrument Panel	1
39	000-094-113	Nut, 1/4"-20UNC Neoprene Wellnut	4
40	000-143-002	Screw, 1/4"-20UNC x 1.00" Lg. Hex Head	8
41	000-174-060	Washer, 1/4" Flat Rubber Backed	4
42	000-052-758	Insert, 1" NPT x 1" Barb	1
43	000-094-009	Nut, 1/4"-20UNC Hex Nylock	4
44	000-174-036	Washer, #10 Flat Rubber Backed	2
45	000-094-034	Nut, #10-24UNC Nylock	2
46	000-174-015	Washer, #10 Outside Star	5
47	000-094-004	Nut, #10-24UNC Hex	5
48	000-143-064	Screw, #10-24UNC x 1.00" Lg. Flat Head Phillips	4
49	000-068-459	Hose, 3/4" I.D. Green Stripe	1
50	000-033-020	Clamp, Size #16 Hose	2
51	000-068-017	Hose, 3/8" Bulk	1
52	000-033-005	Clamp, Size #5 Hose	2
53	000-143-114	Screw, #10-24UNC x 0.50" Lg. Flat Head	2
54	601-013-001	Stabilizer, Instrument Panel To Recovery Tank	1
55	000-068-018	Hose, 1/2" I.D. Rubber - Bulk	1
56	000-068-203	Hose, 3/16" x 34" Lg. 1/4" FJIC x 1/4" FJIC	1
57	000-068-734	Hose, 1/2" x 42.5" Lg. w/ 3/8" NPT & 3/8" SAE F Ends	1
58	000-068-326	Hose, 3/8" I.D. Clear w/ Braid	1
59	<b>Fig. 7-27</b>	Assembly, Dash Box - N/S	1
60	000-166-002	Tray, Soap Jug - Weldment	1
61	000-159-016	Jug, 5 Gallon Plastic Chemical - Standard	1
62	000-131-003	Trimlok,	1
63	000-081-252	Label, Ansi Warning - Park Position - Machine	1
64	000-081-252	Label, Ansi Warning - Large	1



Figure 7-26 CDS 4.6 Pump & Blower Assembly  
D-4431 Rev M



## CDS 4.6 Pump &amp; Blower Assembly Parts List

Item	Part Number	Description	Qty
1	000-055-028	Frame, Pump & Blower	1
2	000-079-097	Assembly, Duraflow APO Pump - CDS (Fig. 7-14)	1
3	000-001-041	Adapter, Blower Inlet	1
4	000-001-043	Adapter, Blower Outlet	1
5	000-077-001	Key, #3 & #4 Vacuum Pump Drive	2
6	<b>Fig. 7-12</b>	Assembly, Pump - CDS 4.8	1
7	000-111-145	Blower, 4005 Dominator	1
8	000-154-147	Spacer, Power Pack - Rear - CDS 4.8 Ford 2005+	1
9	000-154-146	Spacer, Power Pack - Front - CDS 4.8 Ford 2005+	1
10	000-008-020	Bearing, Pillow Block - 1-3/16" Bore	2
11	000-139-021	Snap Ring, 1-3/16" Shaft	2
12	000-150-040	Shaft, Drive Sprocket - CDS 4.8	1
13	000-052-505	Zerk Fitting, 1/8" MNPT Grease Fitting-Straight	2
14	000-109-022	Pulley, AK54 H Pump	1
15	000-020-019	Bushing, #H x 7/8" Bore	1
16	000-108-065	Protector, CAT Pump Belt Shield	1
17	000-015-722	Bracket, Angle Tab - CDS 4.6	2
18	000-143-017	Screw, 3/8"-16UNC x 0.75" Lg. Hex Head Grd. 8	4
19	000-174-057	Washer, 3/8" Lock	3
20	000-174-004	Washer, 5/16" Flat	13
21	000-143-025	Screw, 3/8"-16UNC x 1.25" Lg. Hex Head Grd 8	8
22	000-094-100	Nut, 3/8"-16UNC Hex Nylock	5
23	000-143-012	Screw, 5/16"-18UNC x 0.75" Lg. Hex Head	4
24	000-174-002	Washer, 1/4" Flat	8
25	000-174-018	Washer, 5/16" Lock	9
26	000-143-013	Screw, 5/16"-18UNC x 1.00" Lg. Grade 8	5
27	000-174-017	Washer, 1/4" Lock	2
28	000-094-010	Nut, 1/4"-20UNC Hex	2
29	000-143-096	Screw, 3/8"-16UNC x 1.00" Lg. Hex Head	2
30	000-143-260	Screw, 3/8"-16UNC x 8.00" Lg. Hex Head w/ 6" Threads	1

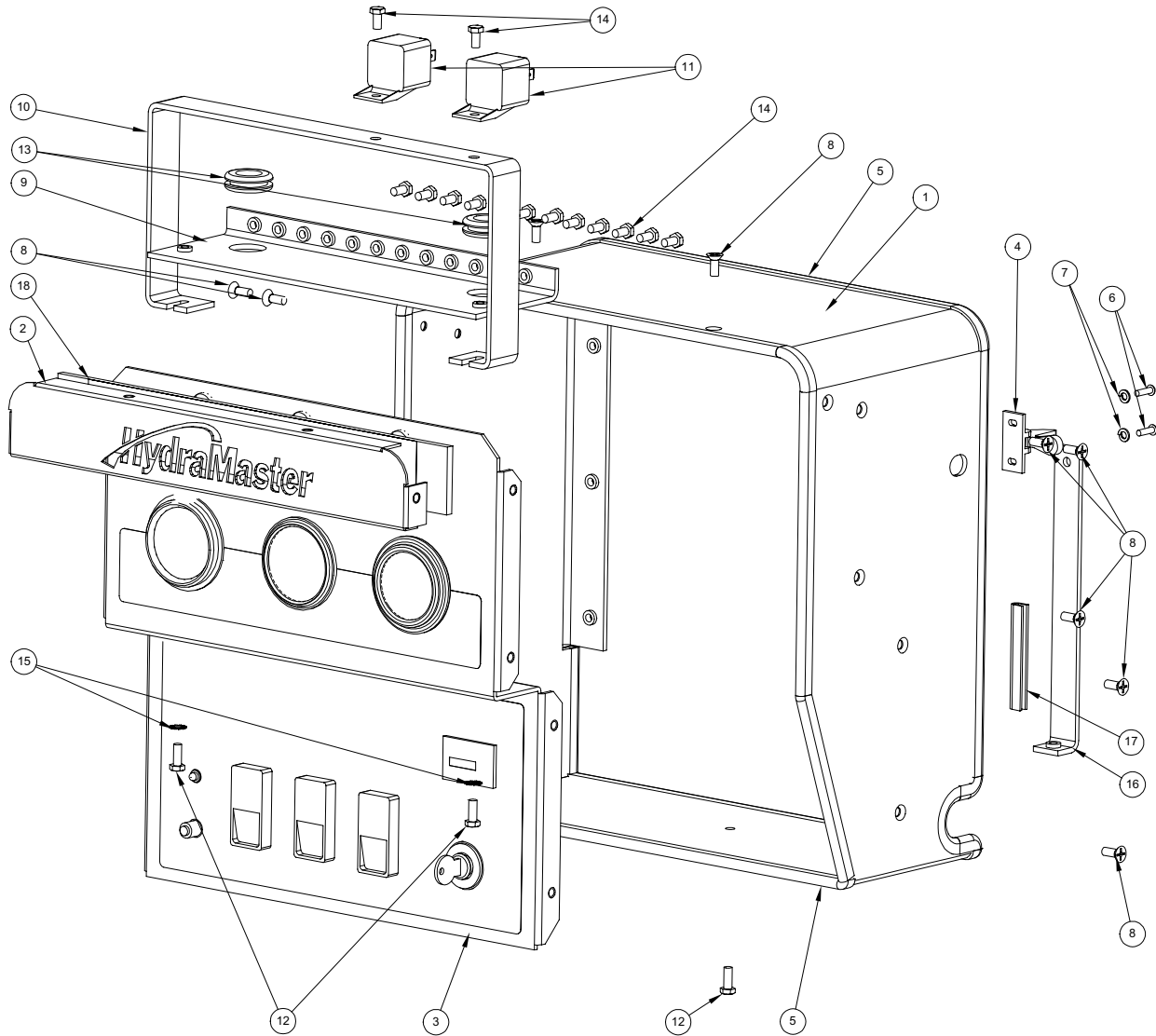
## CDS 4.6 Pump &amp; Blower Assembly Parts List

Item	Part Number	Description	Qty
31	000-015-173	Bracket, CAT Pump Tensioner Plate - CDS 4.8	1
32	000-174-012	Washer, 1/2" SAE H/D Flat	4
33	000-143-240	Screw, 1/2"-13UNC x 1.75" Lg. Hex Head - Grade 5	4
34	000-094-037	Nut, 1/2"-13UNC Hex 2-Way Locking - Z/P	4
35	000-143-002	Screw, 1/4"-20UNC x 1.00" Lg. Hex Head	1
36	000-143-548	Screw, 1/4"-20UNC x 2.00" Lg. Hex Head	1
37	000-109-058	Pulley, 56 Tooth GT2 8MX-56S-21 Engine & Blower	1
38	000-020-020	Bushing, 7/8" Taper-Lock	1
39	000-020-026	Bushing, 1-1/8" Taper-Lock	1
40	000-109-009	Pulley, 2.75" x 0.88" Pump Drive	1
41	000-015-930	Bracket, Tach. Magnetic Extension N/S - CDS 4.6	1
42	000-149-010	Sensor, CDS Magnetic Tach.	1
43	000-174-003	Washer, 1/4" Flat	1
44	000-109-057	Pulley, 40 Tooth GT2 8MX-40S-21 Engine & Blower	1
45	000-010-052	Belt, Polychain GT	1
46	000-010-051	Belt, #9380 CAT Pump Drive	1
47	000-077-010	Key, 1/4" x 1-1/2" Lg. Class 2 Fit	1
48	000-052-293	Insert, #23 (1/8" NPT x 3/16" Barb)	3
49	000-052-057	Nipple, 1/8" NPT Close	1
50	000-052-084	Elbow, 1/8" NPT Street	1
51	000-052-079	Cross, 1/8" FPT	1
52	000-033-057	Clamp, 1" Cushion Loop	1
53	000-174-001	Washer, #10 Flat	1
54	000-143-132	Screw, #10-24UNC x 0.75" Lg. Hex Head	1
55	000-077-012	Key, 3/16" x 2.5" Lg. Class 2 Fit	1
56	000-068-149	Hose, CDS Blower Oil Drain	1
57	000-068-149	Hose, CDS Blower Oil Drain	1
58	000-068-030	Hose, 5/32" I.D. Vacuum - Bulk	1
59	000-052-061	Bushing, 3/8" NPT x 1/4" FPT	2
60	000-143-373	Screw, 1/4"-20UNC x 2" Lg. Hex Head Grd 5	1

**CDS 4.6 Pump & Blower Assembly Parts List**

<b>Item</b>	<b>Part Number</b>	<b>Description</b>	<b>Qty</b>
61	000-154-153	Spacer, Tach. Sensor - CDS 4.8	1
62	000-174-021	Washer, 3/8" Lock	8

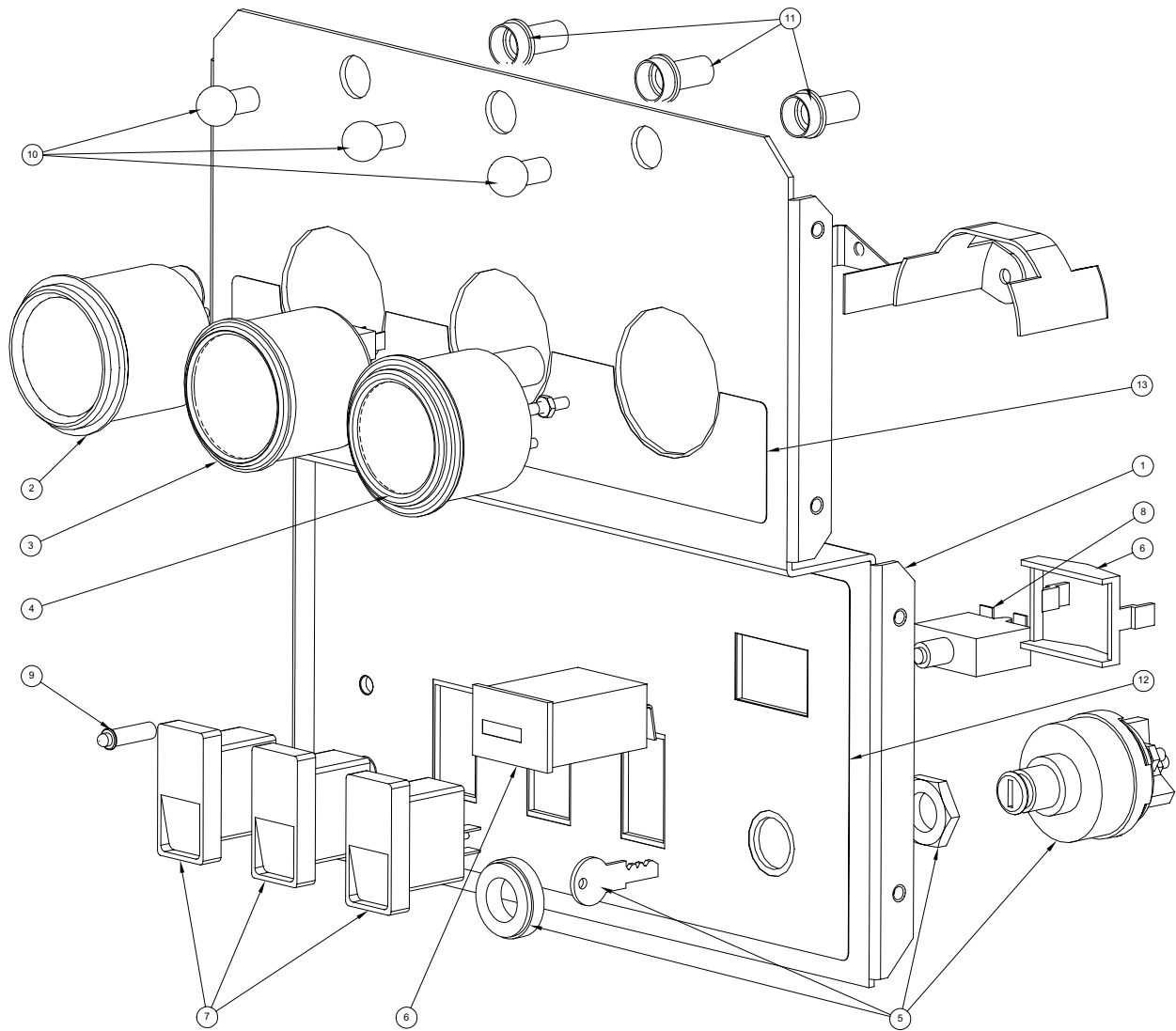
Figure 7-27 CDS 4.6 Dash Box Assembly  
D-6986 Rev -



**CDS 4.6 Dash Box Assembly Parts List**

<b>Item</b>	<b>Part Number</b>	<b>Description</b>	<b>Qty</b>
1	000-013-025	Dash Box, Painted	1
2	000-105-053	Plate, Dash Name - Hm - CDS 4.8	1
3	<b>Fig. 7-28</b>	Assembly, Dash Panel - N/S	1
4	000-086-104	Latch, Dash Securing	1
5	000-131-027	Trimlock, 1/8" ID x 3/8"	1
6	000-143-046	Screw, #6-32UNC x 0.50" Lg. Pan Head	2
7	000-174-043	Washer, #6 Lock	2
8	000-143-114	Screw, #10-24UNC x 0.50" Lg. Flat Head	12
9	000-015-183	Bracket, Grounding Bus	1
10	000-015-184	Bracket, Relay Mounting	1
11	000-157-022	Switch, Relay	2
12	000-143-126	Screw, #10-24UNC x 0.50" Lg. Hex Head	3
13	000-060-002	Grommet, Large Wiring	2
14	000-143-166	Screw, #10-24UNC x 0.38" Lg. Hex Head	14
15	000-175-015	Washer, #10 Outside Star	2
16	000-015-175	Bracket, Dash Box Support - CDS 4.8	1
17	000-131-027	Trimlock, 1/8" I.D. x 3/8"	1
18	000-084-016	Reflector, 1.625" x 11.88" New HM Logo	1

Figure 7-28 CDS 4.6 Dash Panel Assembly  
D-6982 Rev -

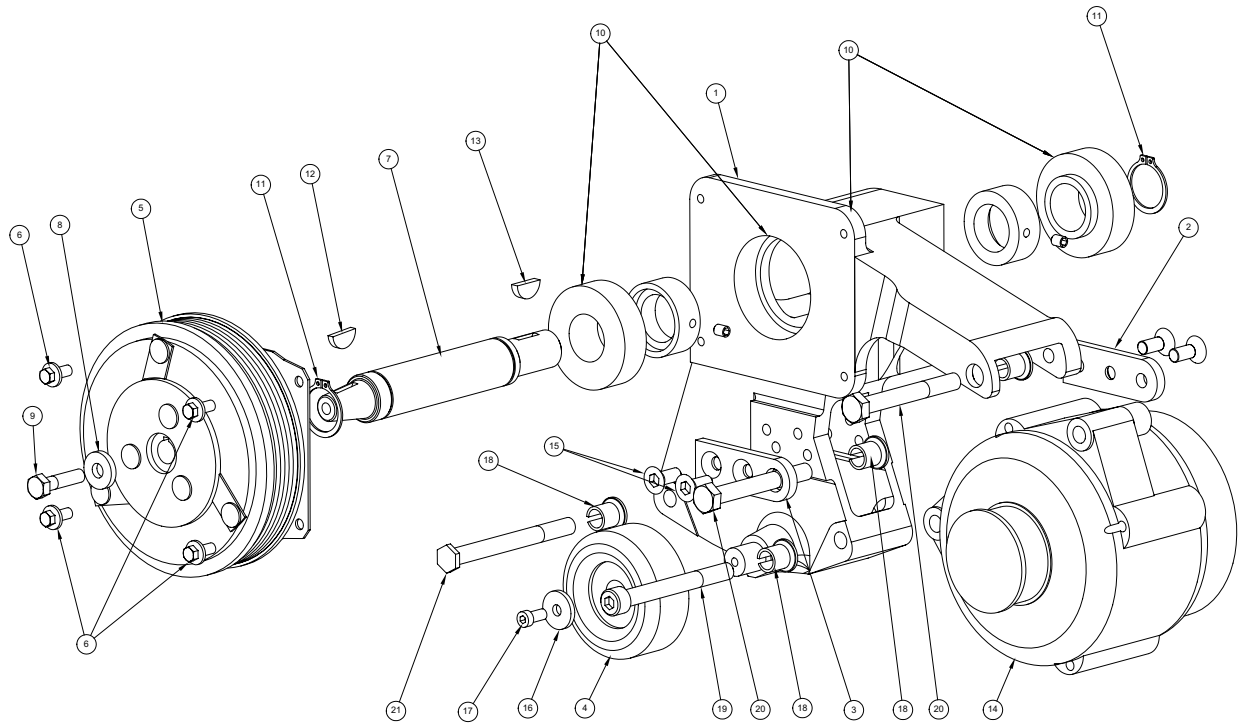


**CDS 4.6 Dash Panel Assembly Parts List**

<b>Item</b>	<b>Part Number</b>	<b>Description</b>	<b>Qty</b>
1	000-100-167	Panel, Dash - CDS 4.6	1
2	000-074-004	Gauge, Tachometer	1
3	000-074-006	Gauge, Vacuum	1
4	000-074-016	Gauge, Temperature	1
5	000-157-008	Switch, Ignition	1
6	000-074-018	Meter, Rectangular w/o Bezel	1
7	000-157-040	Switch, 20 AMP Rocker	3
8	000-018-003	Breaker, 15 AMP Circuit	1
9	000-084-011	Light, Red LED Indicator Mini	1
10	000-084-004	Lamp, Replacement Guage	3
11	000-084-009	Lamp, Socket - Dashboard	3
12	000-081-099	Label, Dash - Lower	1
13	000-081-099	Label, Dash - Upper	1



Figure 7-29 CDS 4.6/4.8 Front End 2003+ GMC Assembly  
D-5481 Rev A



## CDS 4.6/4.8 Front End 2003+ GMC Assembly Parts List

Item	Part Number	Description	Qty
1	000-015-002	Casting, Front End 4.8 Chevy CDS	1
2	000-015-880	Bracket, Idler Casting - Rear - 2003 CDS	1
3	000-015-879	Bracket, Idler Casting - Front - 2003 CDS	1
4	000-109-095	Pulley, 76mm CDS Idler - Gates w/ Double Row Bearing	1
5	000-036-003	Clutch Assembly, 6" Poly Groove	1
6	000-143-141	Screw, 1/4"-20UNC x 1/2" Lg. Whiz Lock	4
7	000-150-009	Shaft, Electric Clutch - CDS	1
8	000-036-003	Washer, Clutch Assembly, 6" Poly Groove	1
9	000-143-151	Screw, 5/16"-24UNF x 1.25" Lg. Hex Head	1
10	000-008-011	Bearing, CDS Clutch	2
11	000-139-005	Ring, Snap - CDS Clutch Shaft	2
12	000-077-008	Key, 5/32" x 3/4" Woodruff	1
13	000-077-009	Key, 3/16" x 3/4" Woodruff	1
14	---	Alternator, 2003 GMC (Part Of Van)	1
15	000-143-562	Screw, 5/16"18UNC x 0.75" Lg. Flat Head Allen	4
16	000-174-104	Washer, Idler Casting - 2003+ GMC	1
17	000-143-079	Soc. Hd. Mach. Scr., 1/4"-20UNC x 0.50" Lg.	1
18	000-154-141	Bushing, CDS Idler Casting - Alternator Mounting	4
19	000-143-563	Screw, M-10 x 1.5 x 90mm Lg. Socket Head	1
20	000-143-564	Screw, M10 x 1.5 x 80mm Lg. Hex Head	2
21	000-143-558	Screw, M10X1.5 x 90mm Lg. Mod. Thinner Head	1

Figure 7-30 Horizontal Pump In Tank Assembly - Front  
D-3700 Rev C

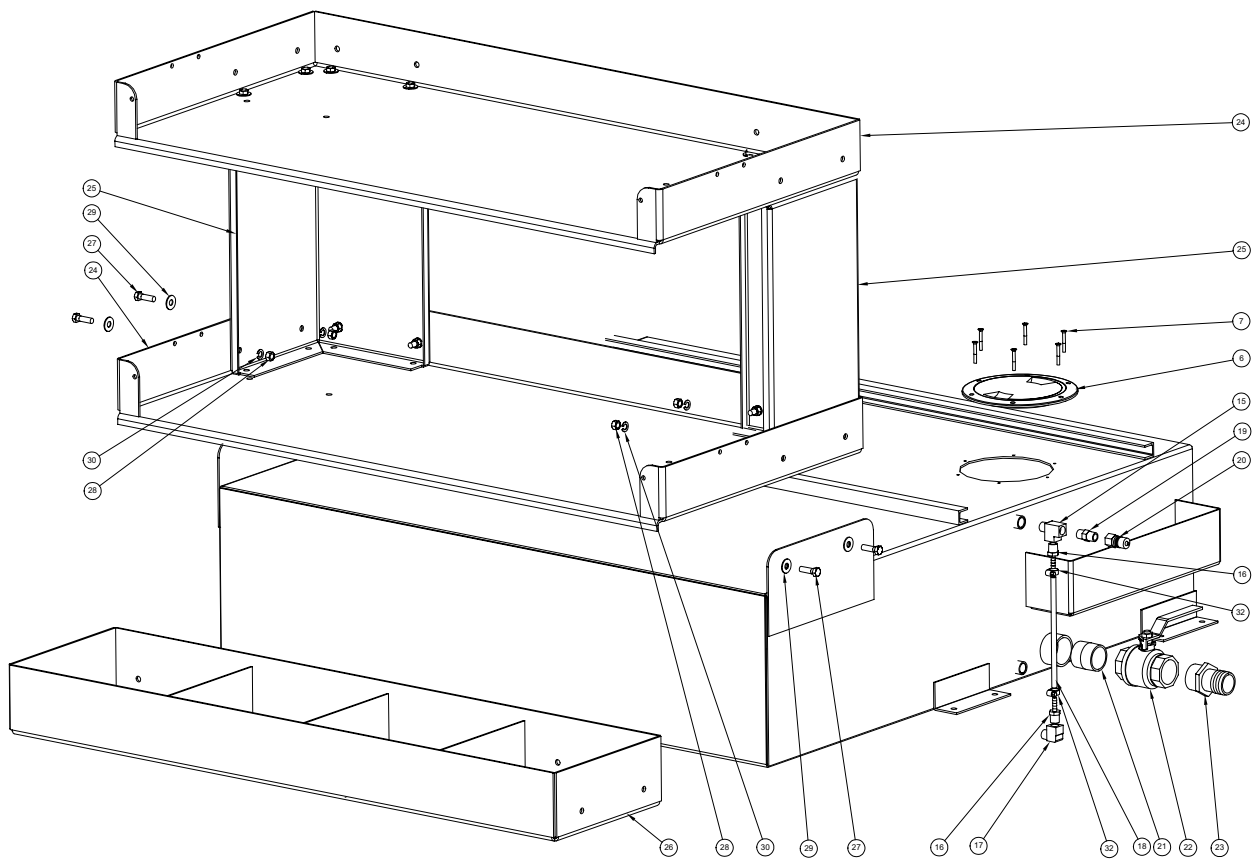
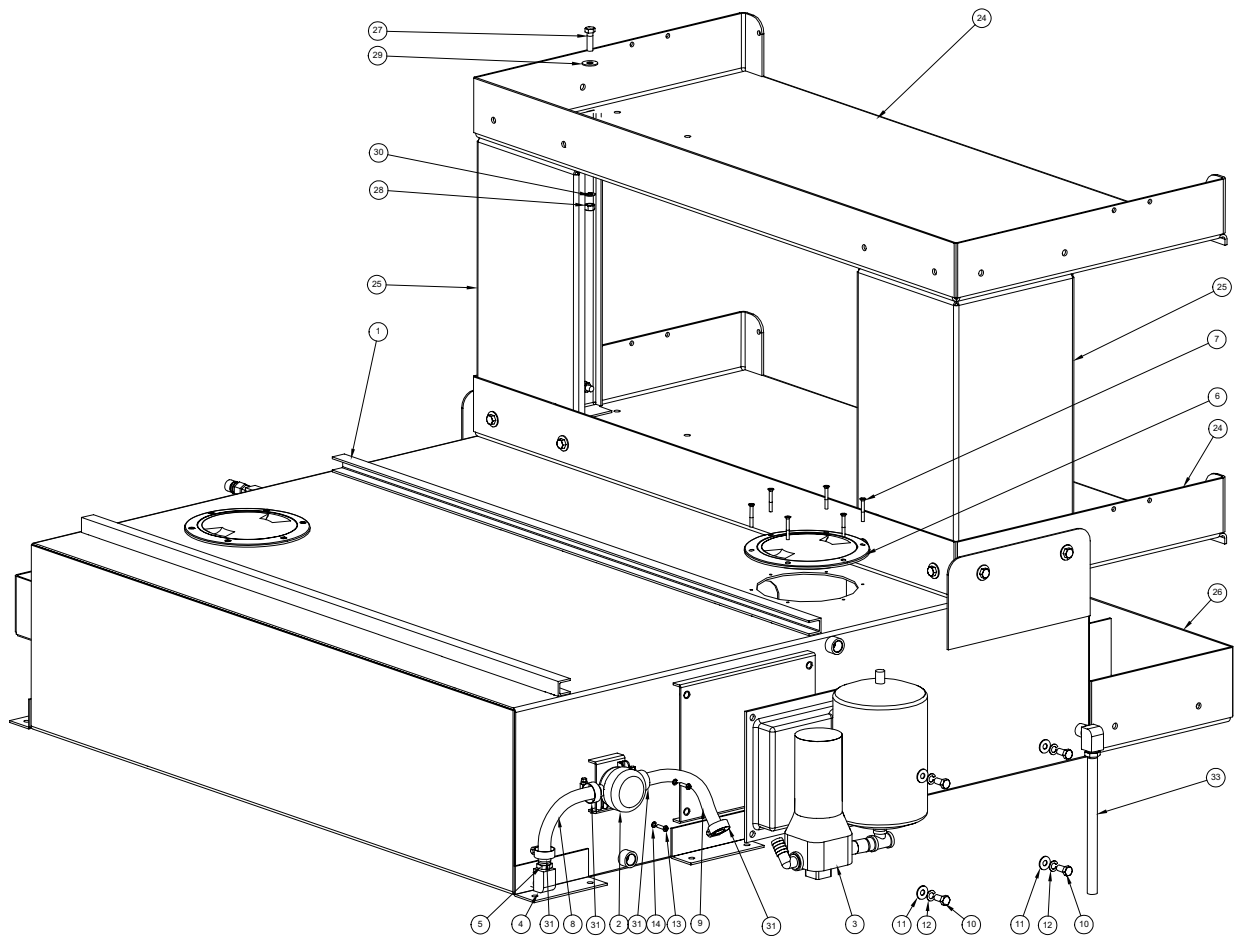


Figure 7-31 Horizontal Pump In Tank Assembly - Rear  
D-3700 Rev C



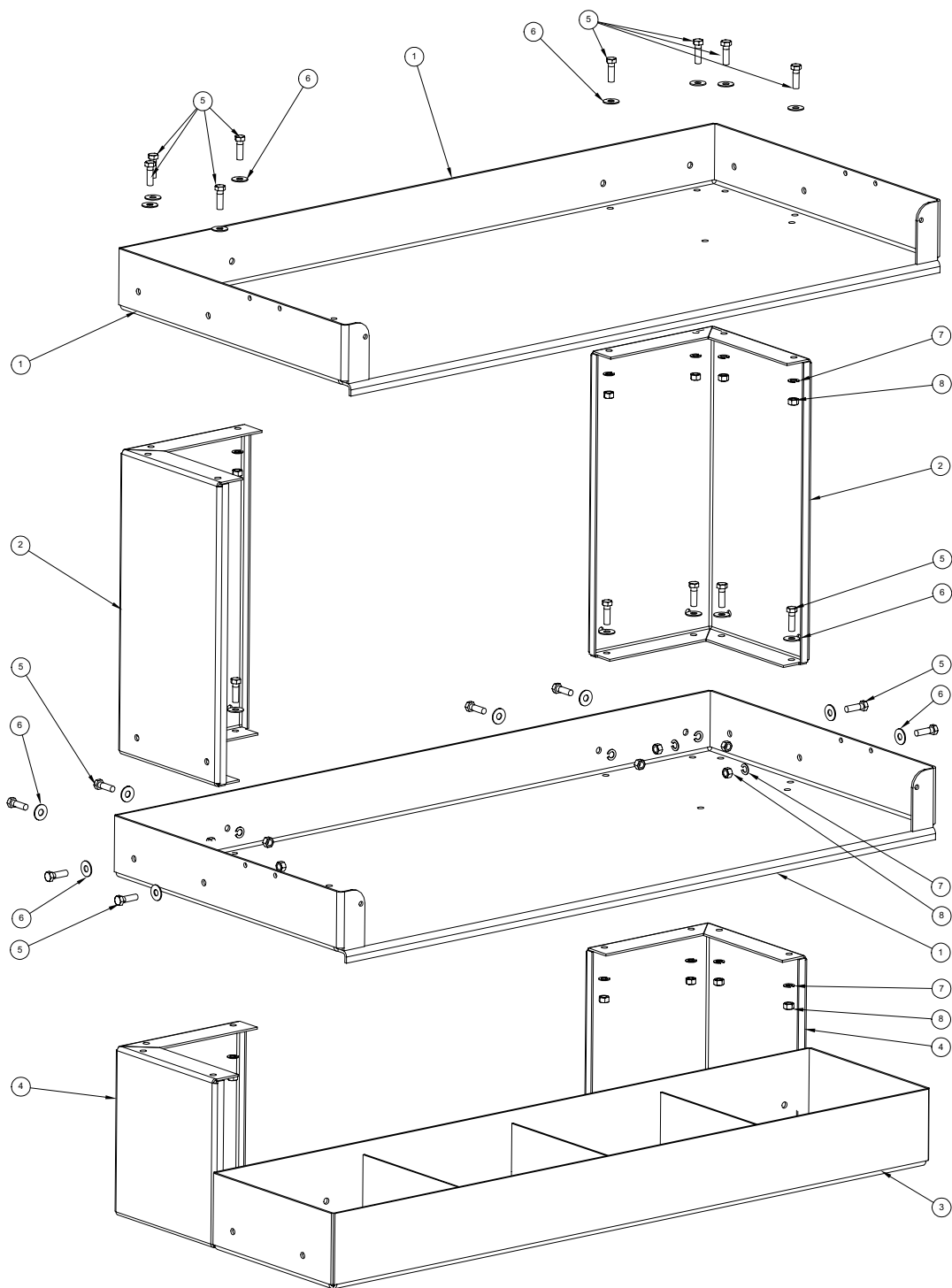
## Horizontal Pump In Tank Assembly Parts List

Item	Part Number	Description	Qty
1	000-159-005	Tank, 120 Gallon Horizontal Pump-In - Weldment	1
2	000-111-170	Filter, (Supplied With Pump)	1
3	000-111-170	Pump, Flojet Fresh Water	1

### Horizontal Pump In Tank Assembly Parts List

Item	Part Number	Description	Qty
4	000-052-087	Elbow, 1/2" NPT Street	1
5	000-052-129	Insert, #812 (1/2" NPT x 3/4" Barb)	1
6	000-041-005	Cover, 6"	2
7	000-143-113	Screw, #10-24UNC x 1 1/2" Lg. Flat HD Philipps	12
8	000-068-069	Hose, 3/4" Weatherhead	1
9	000-068-069	Hose, 3/4" Weather Head	1
10	000-143-017-1	Screw, 3/8"-16UNC x 3/4" Lg. Hex Head	4
11	000-174-032	Washer, 3/8" Flat	4
12	000-174-057	Washer, 3/8" Lock	4
13	000-143-062	Screw, #10-24UNC x 0.75" Lg. Pan Head Phillips	2
14	000-174-014	Washer, #10 Lock	2
15	000-052-023	Tee, 3/8" NPT Male Street	1
16	000-052-103	Insert, #64 (3/8" NPT x 1/4" Barb)	2
17	000-052-086	Elbow, 3/8" NPT Street	1
18	000-068-025	Hose, 1/4" Clear Bulk	1
19	000-052-074	Nipple, 3/8" NPT Hex	1
20	000-052-052	Quick Connect, 660 Male w/ Viton Standard	1
21	000-052-182	Nipple, 1-1/2" NPT Close Galvanized	1
22	000-169-022	Valve, 1-1/2" Full Port Ball	1
23	000-052-226	Insert, 1-1/2" NPT x 1-1/2" Barb (Grey)	1
24	000-166-011	Tray, Air Mover - Removable - Weldment	2
25	000-083-001	Leg, Tray Support - Weldment	2
26	000-166-013	Bin, 4 Compartment Removable - Weldment	1
27	000-143-019	Screw, 3/8"-16UNC x 1.25" Lg. Hex Head Grd 5 Zinc	16
28	000-094-014	Nut, 3/8"-16UNC Hex Zink Plated	16
29	000-174-005	Washer, 3/8" Flat	16
30	000-174-021	Washer, 3/8" Lock	16
31	000-033-029	Clamp, Size 12 Hose	4
32	000-033-003	Clamp, Size #4 Mini	2
33	000-068-165	Hose Assembly, Pump In Overflow	1

Figure 7-32 Free Standing Tray Assembly  
D-3772 Rev -



**Free Standing Tray Assembly Parts List**

<b>Item</b>	<b>Part Number</b>	<b>Description</b>	<b>Qty</b>
1	000-166-011	Tray, Air Mover - Removable - Weldment	2
2	000-083-001	Leg, Tray Support - Weldment	2
3	000-166-013	Bin, 4 Compartment Removable - Weldment	1
4	000-083-006	Leg, Free Standing Tray Support - Weldment	2
5	000-143-019	Screw, 3/8"-16UNC x 1.25" Lg. Hex Head Grd 5 Zinc	24
6	000-174-005	Washer, 3/8" Flat	24
7	000-174-021	Washer, 3/8" Lock	24
8	000-094-014	Nut, 3/8"-16UNC Hex Zink Plated	24

Figure 7-33 85 Gallon Rotomolded Fresh Water Tank Assembly - Front  
D-5566 Rev B

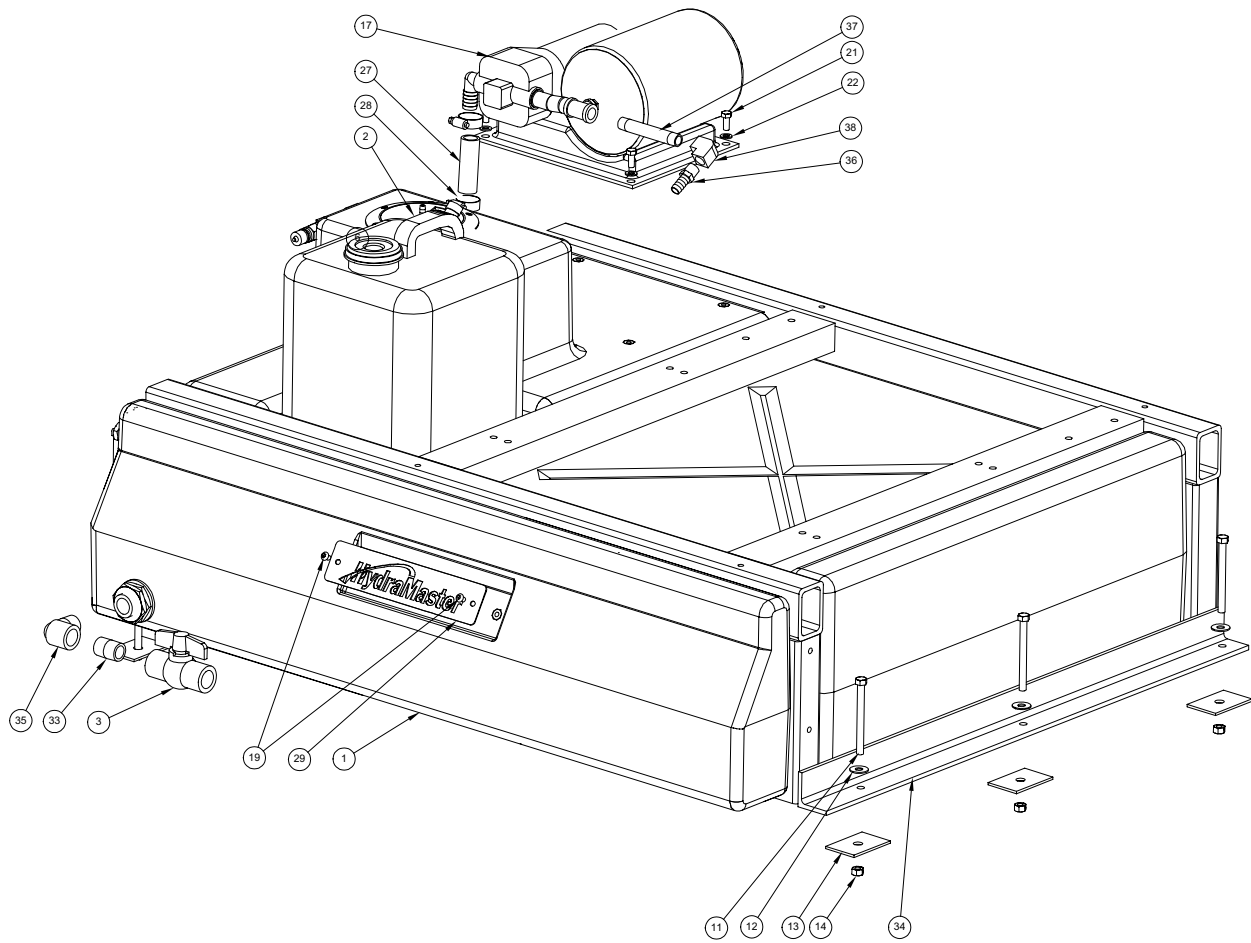
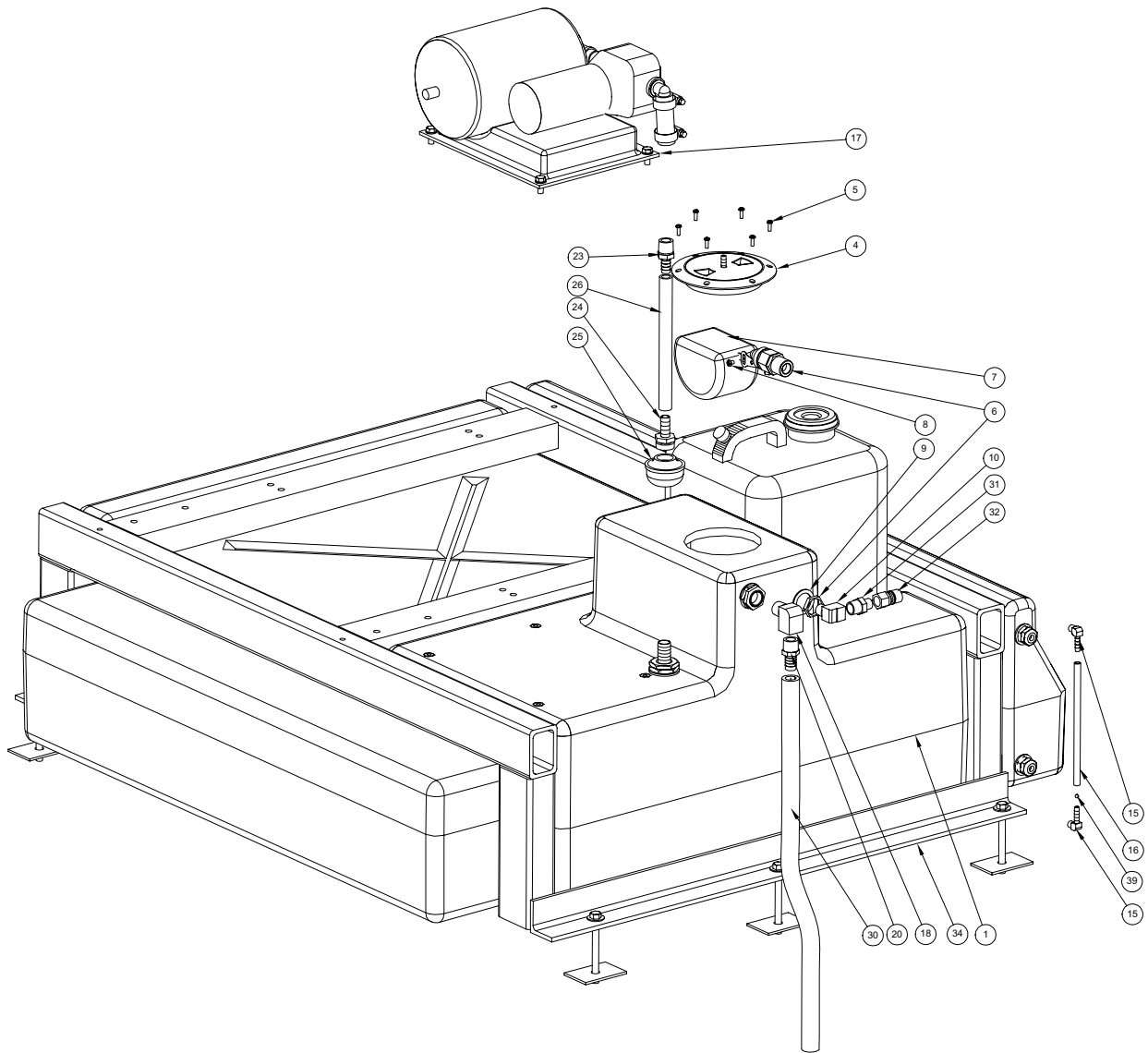




Figure 7-34 85 Gallon Rotomolded Fresh Water Tank Assembly - Rear  
D-5566 Rev B



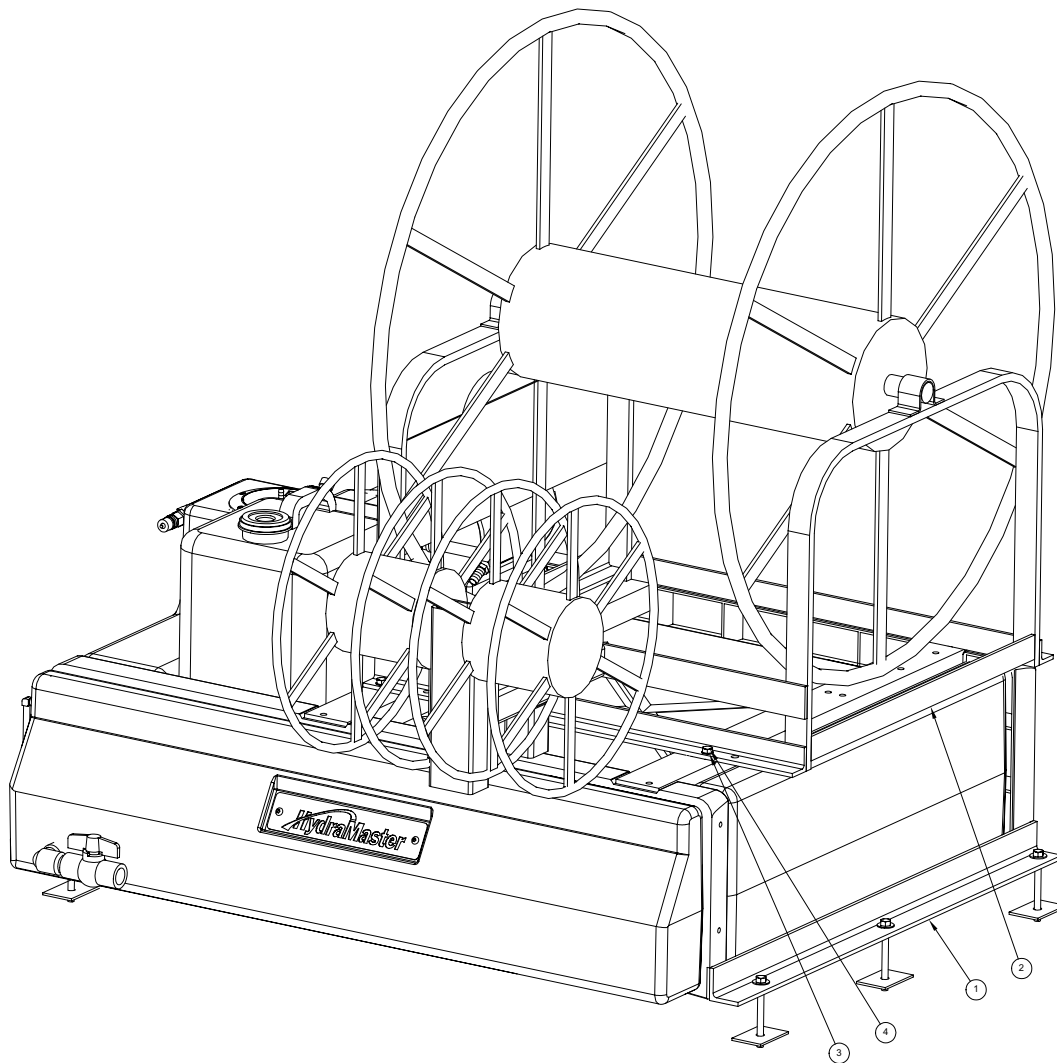
**85 Gallon Rotomolded Fresh Water Tank Assembly Parts List**

<b>Item</b>	<b>Part Number</b>	<b>Description</b>	<b>Qty</b>
1	000-159-116	Tank, Boxxer Fresh Water - Rotomolded	1
2	000-159-016	Jug, 5 Gallon Plastic Chemical - Standard	1
3	000-169-202	Valve, 3/4" FPT Ball Valve	1
4	000-041-004	Cover, Poly Water Box Mod. w/ Vent	1
5	000-143-314	Screw, #8 x 1/2" Lg. Pan Head	6
6	000-169-167	Valve, Mechanical Incoming Water - Water Box	1
7	000-005-007	Float, Water Box	1
8	000-143-336	Screw, #10-32UNF x 0.25" Lg. Pan Head Phillips	1
9	000-174-063	Washer, 1.5" O.D. x 1.073" I.D. x 0.075" Thk.	1
10	000-052-086	Elbow, 3/8" NPT Street	1
11	000-143-198	Screw, 3/8"-16UNC x 4" Lg. Hex Head Full Thread	6
12	000-174-005	Washer, 3/8" Flat	6
13	600-011-003	Tie Down Cleat Washer	6
14	000-094-015	Nut, 3/8"-16UNC Hex 2-Way Locking	6
15	000-052-253	Elbow, 1/8" NPT x 1/4" Barb	2
16	000-068-025	Hose, 1/4" I.D. Clear	1
17	000-111-170	Pump, Flojet Fresh Water	1
18	000-052-087	Elbow, 1/2" NPT Street	1
19	000-143-565	Screw, 1/4-20 UNC x 0.375" Lg. Button Head	2
20	000-052-130	Insert, #810 Brass	1
21	000-143-012	Screw, 5/16"-18UNC x 0.75" Lg. Hex Head	4
22	000-174-049	Washer, 5/16" Flat	4
23	000-052-107	Insert, #88 (1/2" NPT x 1/2" Barb)	1
24	000-052-160	Insert, 3/4" M Garden x 1/2" Barb	1
25	000-049-020	Filter, Screen - Medium	1
26	000-068-018	Hose, 1/2" I.D Bulk	1
27	000-068-069	Hose, 3/4" I.D. Weatherhead Blue - Bulk	1
28	000-033-029	Clamp, Size 12 Hose	2
29	000-105-313	Plate, Hydramaster Name- Roto Tank	1
30	000-068-020	Hose, .625" I.D. - Green Stripe	1

**85 Gallon Rotomolded Fresh Water Tank Assembly Parts List**

<b>Item</b>	<b>Part Number</b>	<b>Description</b>	<b>Qty</b>
31	000-052-075	Nipple, 3/8" NPT x 1/2" NPT	1
32	000-052-052	Quick Connect, 660 Male w/ Viton Standard	1
33	000-052-326	Nipple, 3/4" NPT Close	1
34	000-055-169	Frame, Rotomolded Fresh Water Tank - Boxxer	1
35	000-052-726	Elbow, 3/4" Street (Grey)	1
36	000-052-105	Insert, #68 (3/8" NPT x 1/2" Barb)	1
37	000-052-408	Nipple, 3/8" NPT x 4" Lg.	1
38	000-052-142	Elbow, 3/8" FPT x FPT	1
39	000-005-008	Sight Float Bead, 5mm Red Wally Whale	1

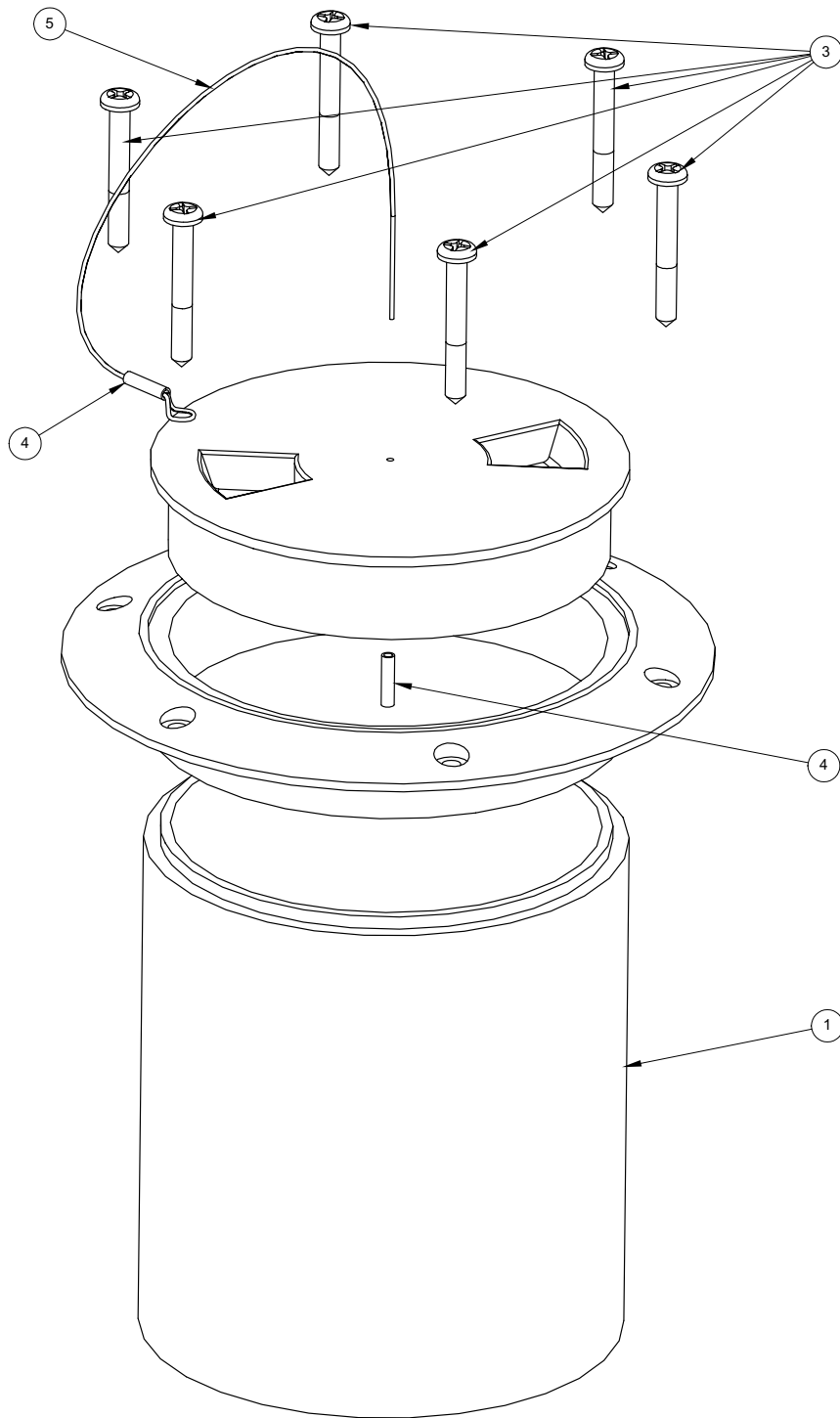
Figure 7-35 **85 Gallon Rotomolded Fresh Water Tank w/ Reel Assembly**  
D-5817 Rev -



### 85 Gallon Rotomolded Fresh Water Tank w/ Reel Assy Parts List

Item	Part Number	Description	Qty
1	000-159-118	Assembly, Rotomolded Tank - Boxxer ( <b>Fig. 7-33 &amp; 7-34</b> )	1
2	000-163-543	Reel, Tripple Electric 300' (E2336-518S)	1
3	000-174-057	Washer, 3/8" Lock	4
4	000-143-017-1	Screw, 3/8"-16UNC x 3/4" Lg. Hex Head	4

Figure 7-36 CDS Pass Through Assembly  
C-5623 Rev B



## **CDS Pass Through Assembly Parts List**

<b>Item</b>	<b>Part Number</b>	<b>Description</b>	<b>Qty</b>
1	000-125-182	Tube, Pass Through	1
2	000-041-200	Cover, 4" Round ABS - Mod. - Pass Through	1
3	000-143-537	Screw, #10 x 1.5" Lg. Pan Head Sheet Metal	6
4	000-033-032	Clamp, CDS Throttle Cable	2
5	000-025-008	Cable, 150 Lb Test s/s	1

**CDS 4.6/4.8 Belts**

PART NO.	DESCRIPTION
<b>All Vans</b>	
010-051	Belt, Cat Pump Drive
010-015	Belt, CDS 4.8 APO Drive
010-052	Belt, Polychain GT Blower Drive
<b>Chevrolets</b>	
010-001	Belt, '85 Chev 8 Drive
010-002	Belt, '85-86 Chev 8 Water Pump
010-032	Belt, '86 Chev 8 Drive
010-034	Belt, '87-91 Chev 8 Drive
010-010	Belt, '92+ Chev Drive
010-039	Belt, '97+ Chev 8 with AC
010-046	Belt, '97+ Chev 8 Main Drive
<b>Ford 6</b>	
010-004	Belt, '86 Ford 6
010-028	Belt, '86 Ford 6 Alternator Drive
010-035	Belt, '87-93 Ford 6 Drive
010-040	Belt, '87-93 Ford 6 Drive (with Factory Air)
010-036	Belt, All Ford 6 AC Drive
<b>Ford 8</b>	
010-031	Belt, '86 Ford 8 Drive
010-030	Belt, '87 Ford 8 Drive
<b>Ford 302</b>	
010-029	Belt, '87-89 Ford 302 Drive
<b>Ford 351</b>	
010-008	Belt, '90 Ford 351 Drive
010-029	Belt, '91-93 Ford 351 Drive
<b>Ford Diesel</b>	
010-006	Belt, '91 Ford Diesel Drive
010-037	Belt, '92-93 Ford Diesel Drive

## CDS 4.6/4.8 Belts (cont.)

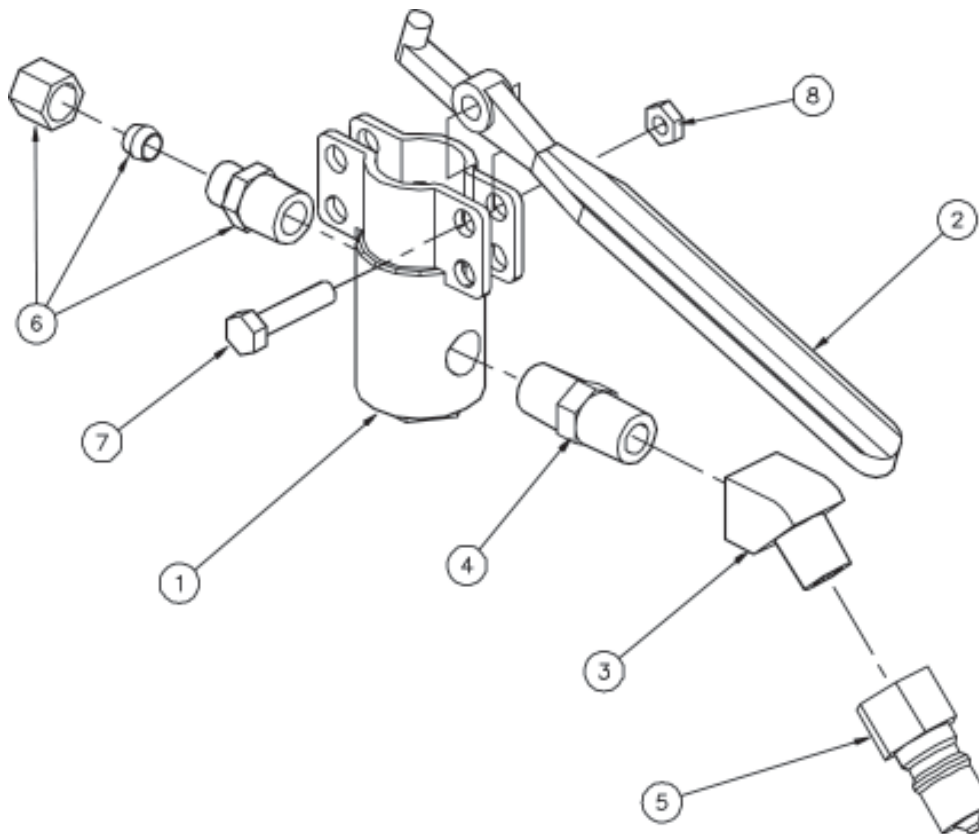
---

PART NO.	DESCRIPTION
<b>Astro</b>	
010-004	Belt, '85 Astro Drive
010-026	Belt, '85 Astro Alternator Drive
010-027	Belt, '85 Astro Drive
010-032	Belt, '86 Astro Drive
010-033	Belt, '87 Astro Drive
010-034	Belt, '87-91 Astro Drive
<b>Dodge</b>	
010-038	Belt, '91-93 Dodge 360 Drive with V-Belt (2 per mach.)
010-047	Belt, '92+ Dodges Poly-V



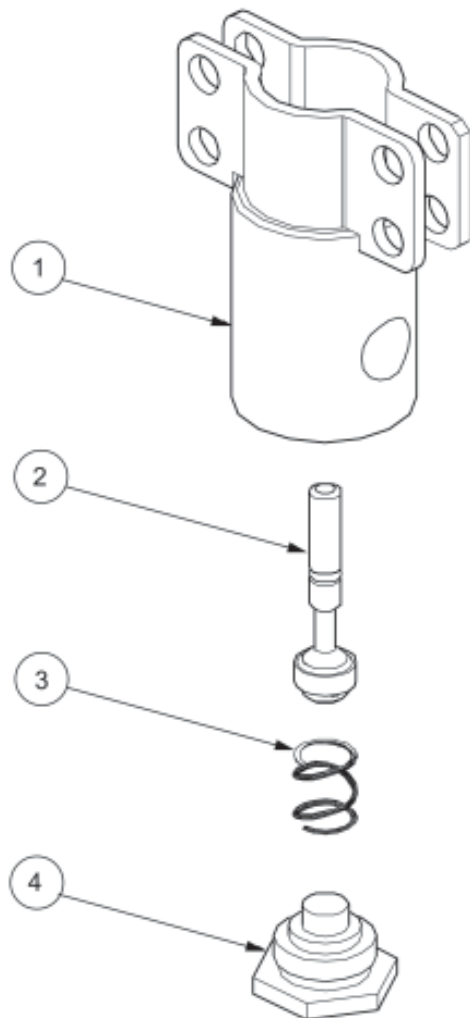
# Cleaning Wand Assembly and Parts Lists

Figure 7-37 Valve Assembly  
C-3652 Rev -



ITEM	PART NO.	DESCRIPTION	QTY
1	169-058	Valve, s/s HM Solution ( <b>Fig. 7-38</b> )	1
2	167-013	Trigger, Hydra Hoe Valve - Brass	1
3	052-082	Elbow, ¼" Brass 45 Street	1
4	052-095	Nipple, ¼" s/s Hex	1
5	052-050	Quick Connect, 440 M with Viton	1
6	052-152	Compression, ¼" Male Hydra Hoe Fitting	1
7	143-002	Screw, ¼ - 20 x 1" HHC s/s	1
8	094-009	Nut, ¼ - 20 s/s Nylock	1

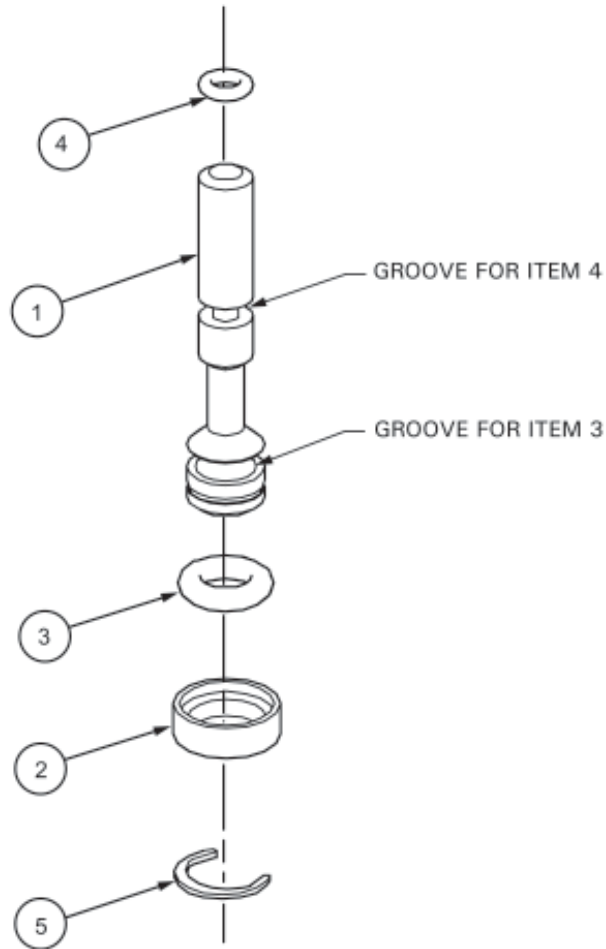
Figure 7-38 **Solution Valve Assembly**  
B-1234 Rev A



ITEM	PART NO.	DESCRIPTION	QTY
1	600-012-001	Valve Body Sub Assembly ( <b>Fig. 7-39</b> )	1
2	600-012-002	Valve Stem Sub Assembly	1
3	155-003	Spring, HM Solution Valve	1
4	027-001	Cap, Brass	1

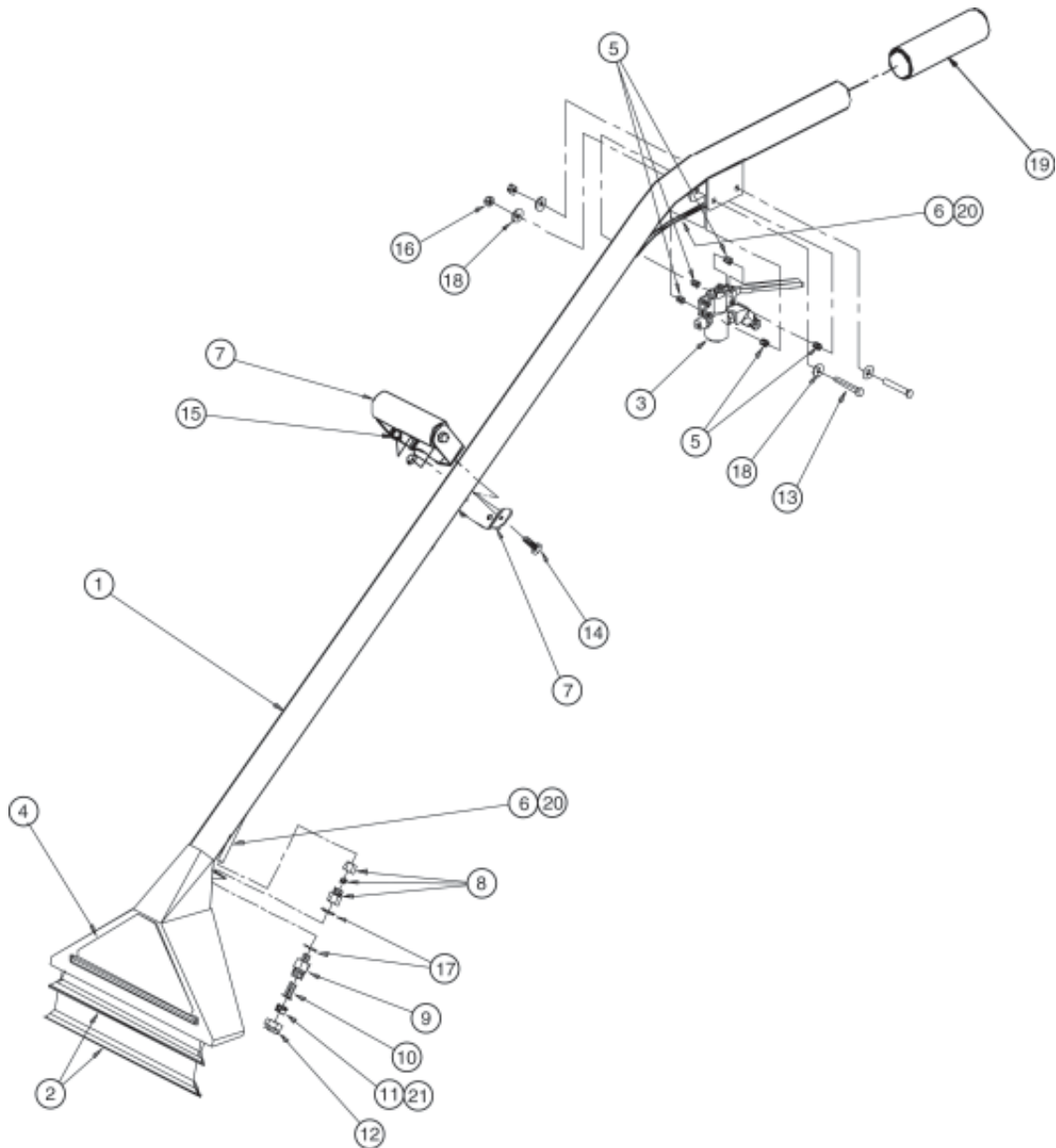
Figure 7-39 Valve Stem Assembly

B-3743 Rev -



ITEM	PART NO.	DESCRIPTION	QTY
1	107-129	Plunger, HM Solution Valve	1
2	139-003	Ring Keeper, HM Solution Valve	1
3	097-010	O-Ring, HM Valve Plunger - Large	1
4	097-022	O-Ring, Solution Valve Flow Meter - Small	1
5	139-004	Ring, Solution Valve Stem Snap	1

Figure 7-40 **Hydra Hoe Wand Assembly**  
C-2660 Rev -



## Hydra Hoe Wand Assembly Parts List

ITEM	PART NO.	DESCRIPTION	QTY
1	173-001	Wand Kit, 12" s/s Truckmount	1
2	082-004	Lips, 12" s/s HM Wand (2 Pieces)	1
3	169-055	Valve Assy, s/s Hydra Hoe with Trigger <b>(Fig. 7-37)</b>	1
4	081-015	Label, 'HydraMaster' Wand	1
5	154-001	Spacer, $\frac{1}{4} \times \frac{5}{16}$ s/s Solution Valve	5
6	168-001	Tube, Hydra Hoe Solution - $\frac{1}{4}$ " OD s/s	1
7	061-006	Handle, Pressure Guide	1
8	052-151	Compression, $\frac{1}{8}$ " Female Hydra Hoe Fitting	1
9	052-153	Housing, Brass Stabilizer Wand Nozzle Fitting	1
10	186-001	Stabilizer - Jet Assembly Group	1
11	076-005	Jet, No.6 s/s Hydra Hoe	1
12	094-028	Nut, Brass Jet Assembly Group	1
13	143-005	Screw, $\frac{1}{4}$ - 20 x $1\frac{3}{4}$ " HHC	2
14	143-012	Screw, $\frac{5}{16}$ - 18 x $\frac{3}{4}$ " HHC s/s	2
15	094-035	Nut, $\frac{5}{16}$ - 18 s/s Nylock Half	2
16	094-009	Nut, 3 - 20 s/s Nylock	2
17	174-032	Washer, $\frac{3}{8}$ s/s Flat	2
18	174-003	Washer, $\frac{1}{4}$ " s/s Flat	4
19	061-007	Handle Grip Hydra Hoe	1
20	063-003	Harness Wrap, High Temp. $\frac{1}{4}$ " - Gray	4
21	076-045	Jet, 8004E s/s T	1

---

# Vacuum System

CDS 4.6/4.8

## Section 8-1

The vacuum blower in this machine is a positive displacement lobe type. The performance and life of this unit is greatly dependent on the care and proper maintenance it receives.

Because of the close tolerances between the lobes and housing of the vacuum blower, solid objects entering the inlet will damage the internal lobes, gears, bearings or drive system.

To prevent this, a stainless steel filter screen has been placed at the vacuum blower intake inside the vacuum recovery tank. This stainless steel filter system should be removed for cleaning daily.

◆ CAUTION ◆

When machine is being run for test purposes and the vacuum inlet on top of the machine is open, caution should be used.

To protect the vacuum blower from overloading and damaging itself, there is a vacuum relief system installed on the vac tank. When the vacuum tank inlet is completely sealed off, a maximum of 14" HG will be attained. At the end of each day, an oil based lubricant should be sprayed into the blower lubrication port before shutting down the machine. If you fail to lubricate the vacuum blower daily, rust deposits and moisture will decrease the life of the vacuum blower.

◆ CAUTION ◆

Foam passing through the blower could lead to serious problems. Therefore, it is important to keep the vacuum tank foam free. HydraMaster and SafeClean chemicals are formulated with built in anti-foaming agents. When cleaning surfaces with excessive foaming residue use HydraMaster Powder Defoamer as directed.

Read the vacuum blower manual carefully for proper oil change. The maintenance log may differ slightly from the manual, but the truck-mounted

carpet cleaning machine application is very demanding of the vacuum blower and therefore it should be maintained more regularly.

◆ CAUTION ◆

The vacuum tank is protected from overflowing by a vacuum tank float kill switch. The switch is not activated by foam, only by liquid.

### **VACUUM TANK INLET FILTER**

HydraMaster inlet filter screens are designed to trap lint, hair and large objects that would normally collect at the bottom of your vacuum tank. The use of this screen, if cleaned at the end of each job, will eliminate the build-up of much of the debris in the tank.

### **BLOWER LUBRICATION**

At the gear end the timing gear teeth are lubricated by being partially submerged in oil. The gear teeth serve as oil slingers. At the drive end the bearings are lubricated by being partially submerged in oil. There are oil slingers attached on the shafts.

### **FILLING PROCEDURE**

Remove vented oil fill plug on front or rear oil case. Fill with specified oil until it registers to the top of the sight glass.  
Use lubricants as listed below.

Add fresh oil as required to maintain proper level. The oil should be drained, flushed and replaced every 300 hours. The oil drain hose is connected under the head plate, at the end of the oil drain hose is a cap.

## INSTRUCTIONS FOR OIL LUBRICATED GEARS AND BEARINGS

<i>Ambient Temperature*</i>	<i>Oil Grade USA</i>	<i>Oil Viscosity, Centistokes at 40E</i>
below 32E F (below 0E C)	SAE 20 Non-Detergent	100
32E to 100E F (0E to 38E C)	SAE 40 Non-Detergent	200
over 100E F (38E C)	SAE 50 Non-Detergent	250

\*refers to ambient air temperature at the cleaning tool

In applications with extreme variations in ambient temperature a 20W - 50W multiple viscosity oil is recommended.

## GREASE LUBRICATED BEARINGS (If Equipped)

<i>Blower Discharge Temperature</i>	<i>Grease Type</i>
-40E to 275E F (-40E to 120E C)	No. 2 Bearing Grease



# *Blower Troubleshooting*

**1.0. Weak vacuum at wand. Gauge reads normal (10hg to 14hg)**

**1.1. Clogged hoses or wand tube.** Disconnect hoses and carefully check for an obstruction.

**1.2. Excessive length of hoses connected to machine.** Make sure machine is rated for the conditions under which it is being operated.

**2.0. Vacuum gauge will not come up to 14" hg. 4.6/4.8 CDS**

**2.1. There is an air leak somewhere in the vacuum system.** Check vacuum relief valve for proper adjustment. Check all hoses for cuts and breaks. Check recovery tank lid gasket. Make sure the recovery tank drain valve is fully closed.

**2.2. The vacuum gauge is defective.** Test and replace as necessary.

**2.3. Vacuum blower is turning too slowly. (4.8 only)** Check engine RPM at tachometer on dash of machine. Adjust vacuum pods necessary.

**2.4. Vacuum blower is turning too slowly. (4.6 only)** Check blower RPM at tachometer on dash of machine. Adjust vacuum pods necessary.

**3.0. Vacuum gauge reads high with no hoses attached**

**3.1. Filter in recovery tank is clogged.** Remove and clean or replace as necessary.

**3.2. Hose from recovery tank to blower is collapsed internally.** Inspect and replace as necessary.

**4.0. Noisy Vacuum Blower**

**4.1. Vacuum blower is low on oil.** Inspect oil level and replenish as necessary

**NOTE:** Running blower low on oil will cause severe internal damage to the blower. If this situation occurs, it should be inspected by a qualified service technician.

**4.2. There is internal damage to blower. Refer to qualified service technician.**

**5.0. Vacuum Blower is locked and will not turn**

**5.1. The machine has been unused for a period of time and the blower was not properly lubricated when it was shut down, causing rust to build up on internal surfaces. Spray penetrating oil into blower and let sit for at least one hour. Then very carefully use pipe wrench on outer diameter of pulley on blower shaft and attempt to free up blower. Do not use wrench directly on blower shaft. If unable to free up blower in this manner refer to a qualified service technician.**

**5.2. There is internal damage to blower. Refer to qualified service technician.**

---

# *Electrical System*

*CDS 4.6/4.8*

*Section 9-1*

The CDS' electrical system has been specifically designed with the technician in mind. Often the most difficult problem to trace is an electrical failure.

The entire electrical system operates on 12 volts DC which is provided by a battery. Battery levels are sustained by a belt driven alternator on the front of the engine.

◆ CAUTION ◆

It is very important to tie up any loose wires or hoses near the drive shaft area. Tie wraps are sufficient for wires and small hoses.

When securing large hoses or wiring harnesses in the area of the drive shaft, a hose clamp with a clear vinyl hose inserted onto the clamp should be used to tie down these components. For example, on Dodge installations, if the fuel injector wires are not properly secured the wires could rub against the CDS drive shaft causing a short in the electrical system of the van.

Figure 9-1 4.8 Wiring Schematic  
D-4000 Rev J

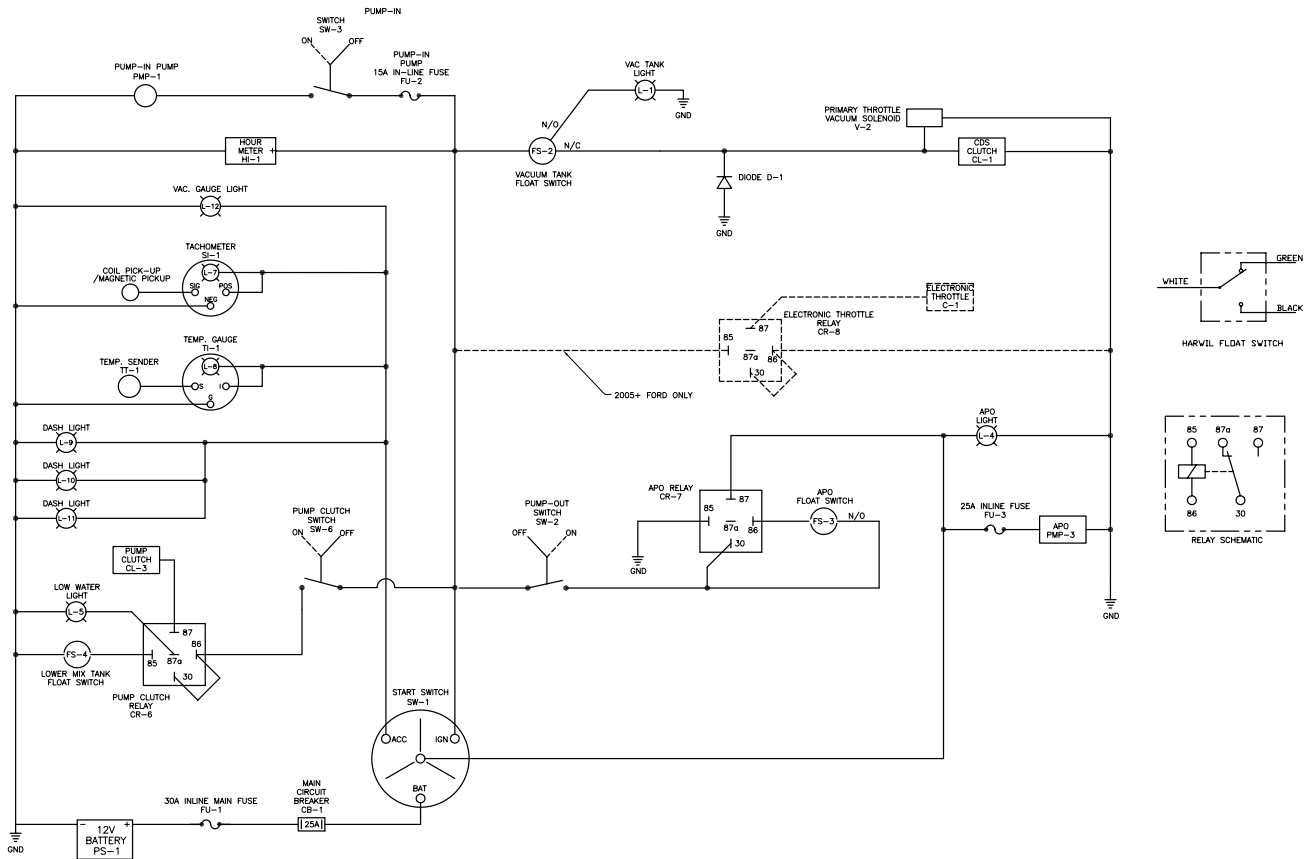


Figure 9-2 4.6 Wiring Schematic

D-5110 Rev E

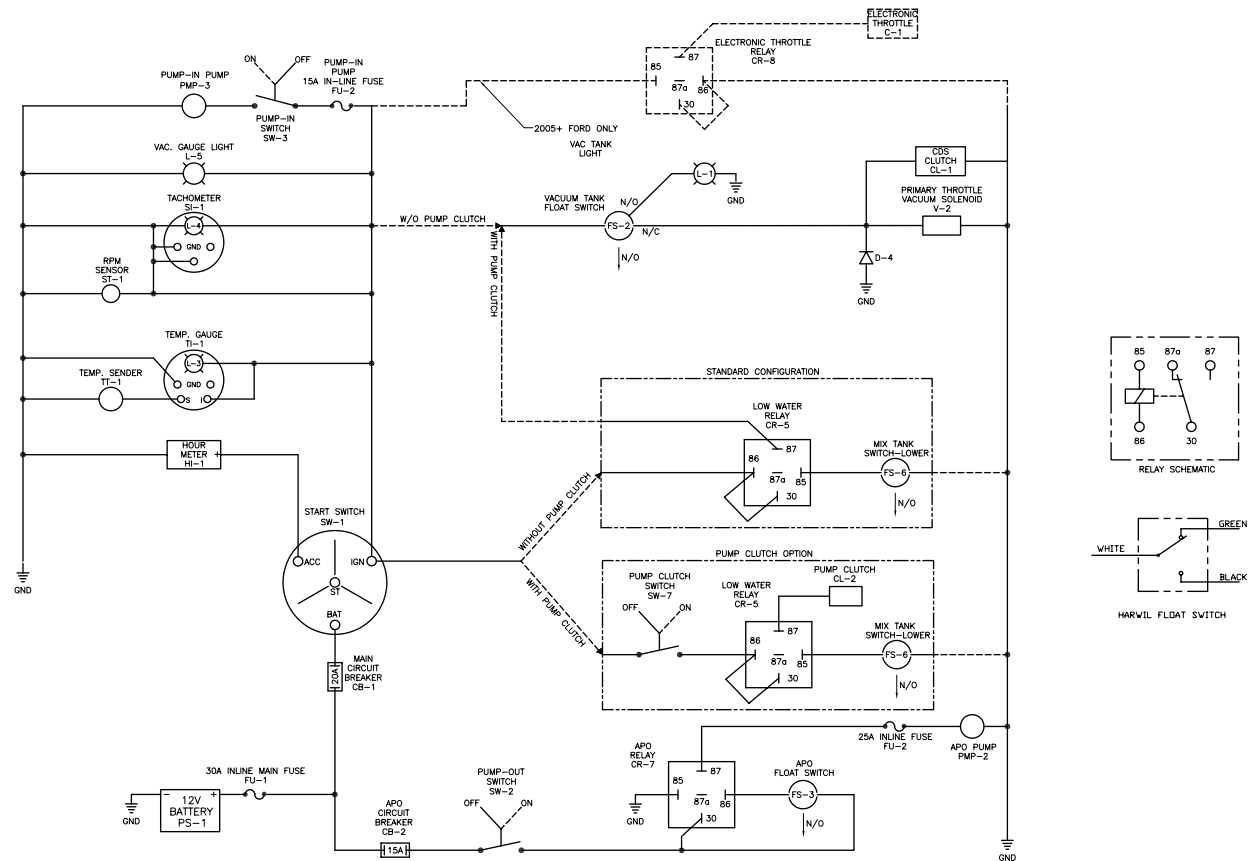


Figure 9-3 4.8 Wiring Diagram

D-4001 Sht 2, Rev K

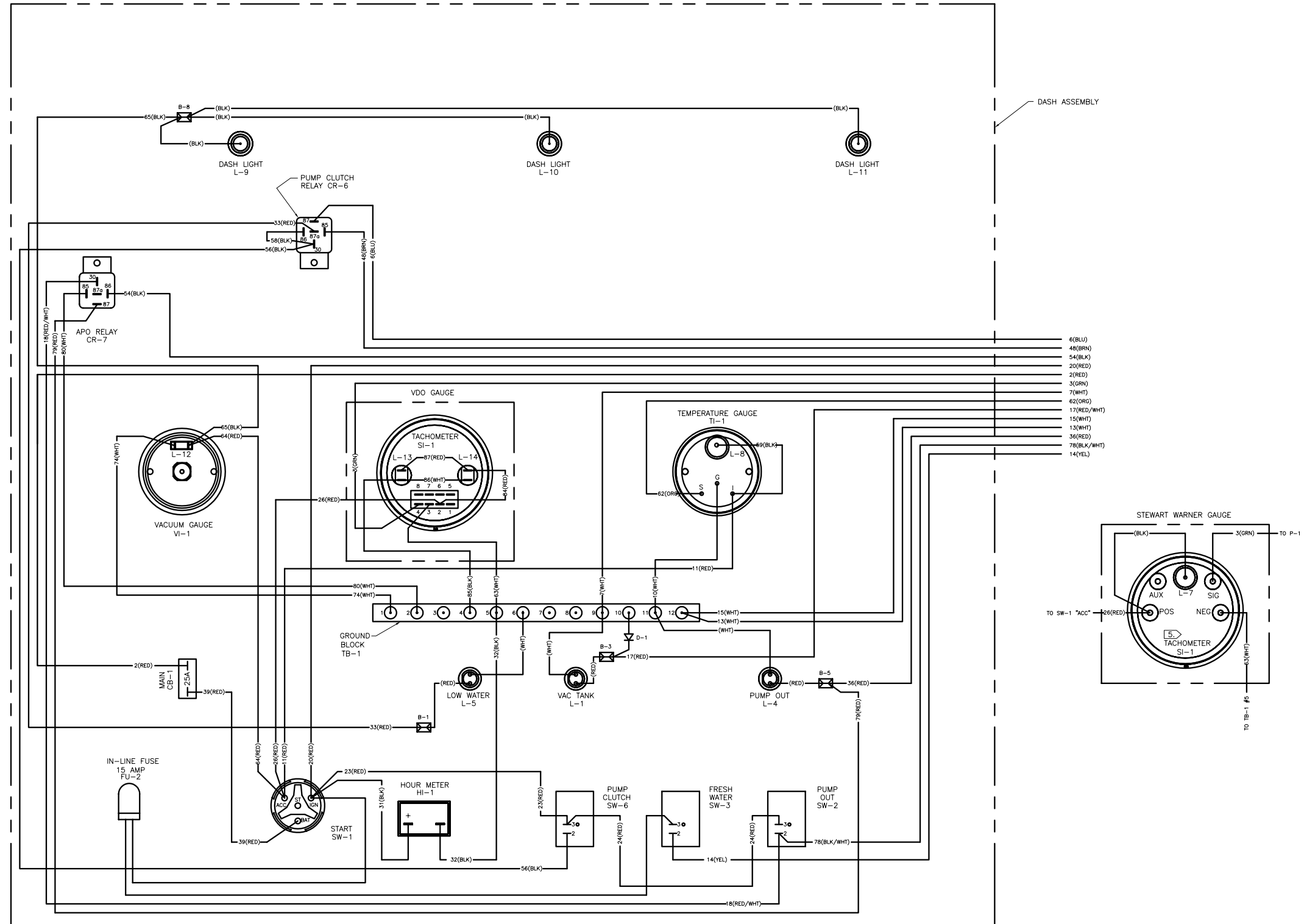


Figure 9-3 4.8 Wiring Diagram

D-4001 Sht 2, Rev L

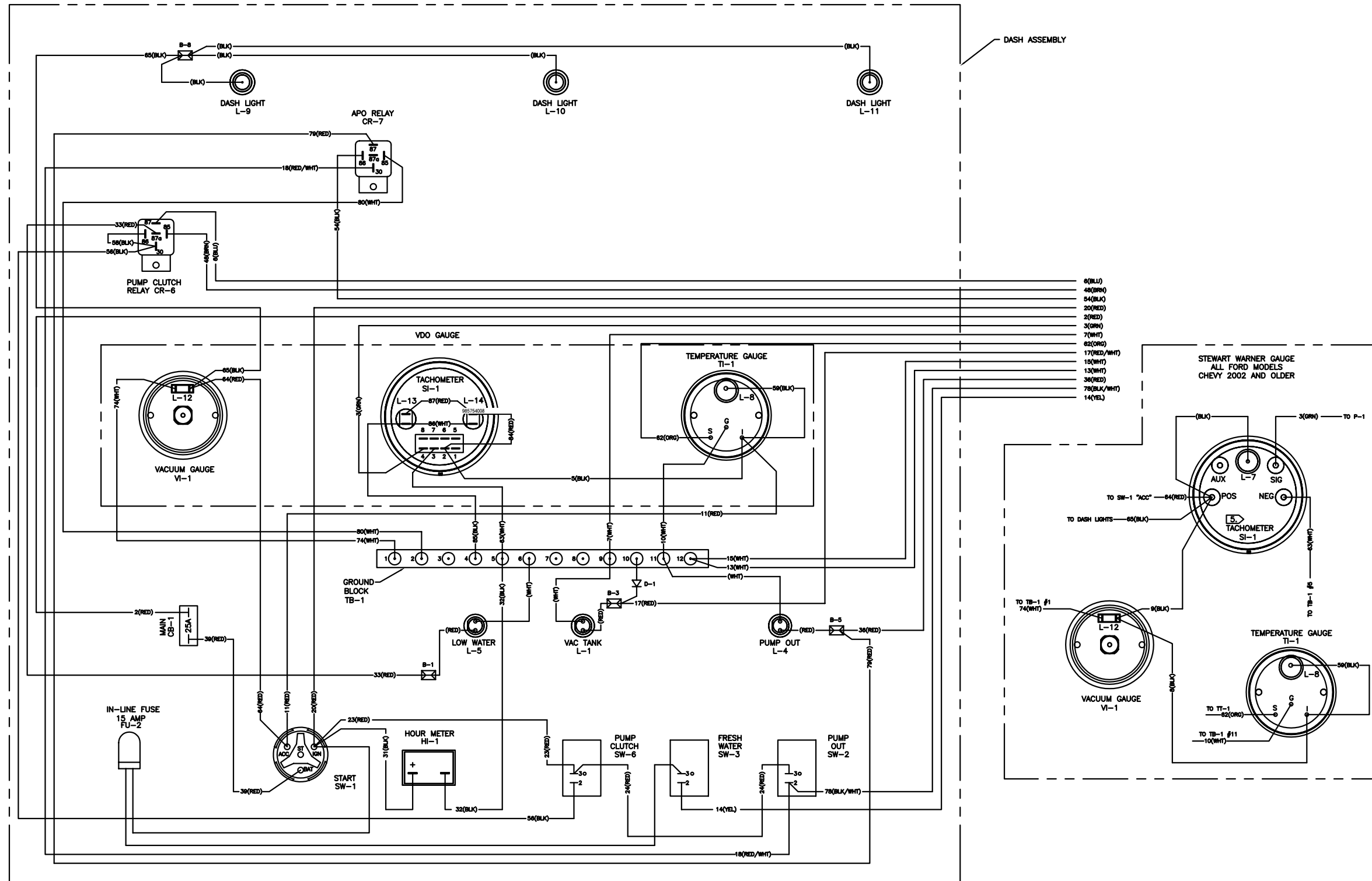
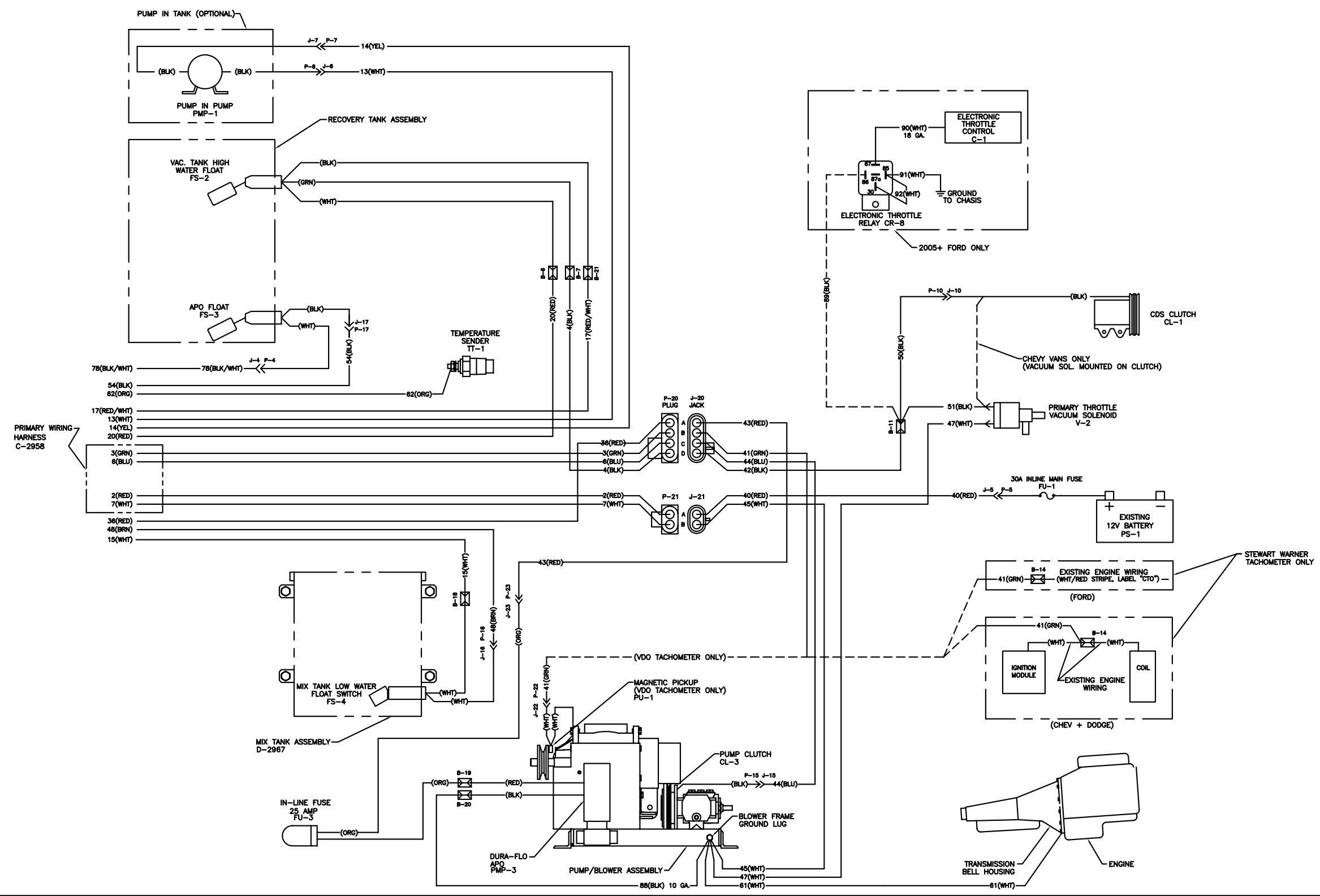


Figure 9-4 4.8 Wiring Diagram  
D-4001 Sht 3, Rev L







# *Electrical Troubleshooting*

## **1.0. CDS will not turn on**

**1.1. The main fuse under the hood has blown.** Remove CDS cowling and engine cover and check all wiring from the power source back to the CDS console for damage. Replace fuse only after locating the problem that caused the fuse to blow. If unable to locate problem, refer to qualified service technician.

**1.2. The plug-in connection at the base of the recovery tank is corroded.** Clean up and seal connection to protect it from moisture.

**1.3. The main circuit breaker has blown on the dash of the machine.** Reset breaker and look for loose connections or damaged wires. Check all wires from the control panel forward to the front of the vehicle. If no problem is found but the breaker still trips refer to qualified service technician.

**1.4. The park position switch on the side of the transmission is out of adjustment or faulty.** This switch interrupts power to the CDS drive clutch and the speed control vacuum solenoid when the transmission gear selector is not in park. Inspect switch for proper adjustment and for continuity. Adjust or replace as necessary.

## **2.0. CDS turns on but will not come up to speed**

**2.1. Throttle cables are broken or out of adjustment.** Inspect throttle cables for proper adjustment. Adjust or replace as necessary.

**2.2. Throttle pod is defective.** Inspect throttle pods to ensure they will hold vacuum when compressed. Replace as necessary.

**2.3. There is no vacuum at throttle pods.** Inspect all vacuum lines to the pods and to the vacuum solenoid. Replace or repair as necessary.

**2.4. There is no power to the vacuum solenoid.** Check for 12 volts and a ground at the vacuum solenoid with the machine key on and the vehicle off. If there is 12 volts and a ground at the solenoid but it does not activate, replace the solenoid.

2.4.1. *If there is not 12 volts and a ground at the solenoid, check the wiring back to the CDS console. Repair as necessary. Note: The ground wires at the connection point on the blower frame can look and feel tight but still be corroded. It is a good idea to periodically remove, clean and re-tighten these wires.*

### **3.0. CDS will not maintain proper RPM**

3.1. *The secondary throttle cable is out of adjustment or broken. Readjust or replace as necessary.*

3.2. *The secondary vacuum pod is defective. Test pod to see if it holds vacuum. Replace as necessary.*

3.3. *The vacuum source to the secondary pod is not sufficient. Check hose from blower inlet to secondary pod and repair or replace as necessary.*

3.4. *Vacuum is set too high. Cap off both vacuum inlets on the recovery tank. If vacuum gauge reads over 14", re-adjust the vacuum relief valve.*

### **4.0. Horn activates when machine is turned on**

4.1. *Emergency brake lever is not depressed when machine is turned on. Depress brake and restart machine.*

4.1.1. *If the horn still sounds when the emergency brake is depressed, check wire connections at horn and emergency brake switch. If connections appear to be good, refer to qualified service technician.*

### **5.0. CDS shuts off while in use**

5.1. *Recovery tank is full. Empty tank and restart machine.*

5.2. *Recovery tank float switch is dirty or defective. Inspect float to see if the triangle mark on the float is facing up. If it is, and the float slides freely on the post, replace the float assembly.*

**5.3. The 219 degree thermal sensor has activated. Refer to section III, 1.0.**

**5.4. The vehicle gear selector has moved. Inspect the gear selector to be sure it is in the proper position. If selector has moved, refer to qualified service technician. Note:** This is a dangerous condition and needs to be repaired immediately.

**5.5. Park position switch has come out of adjustment or is faulty. Adjust or replace as necessary.**

---

# Machine Maintenance

CDS 4.6/4.8

Section 10-1

To avoid costly repairs and down-time, it is imperative to develop and practice good maintenance procedures from the beginning. These procedures fall into daily, weekly, monthly and quarterly increments, and are outlined below. All recommended maintenance must be performed by competent service personnel.

This chapter is broken into six sections: Operational Maintenance, Appearance Maintenance, Long Term Maintenance, Drive Shaft Maintenance, Troubleshooting, and Maintenance Log.

The *Operational Maintenance* section contains maintenance items that are performed to ensure that your machine continues to function properly.

The *Appearance Maintenance* section contains recommendations of things that can be done to maintain the overall appearance of the equipment.

The *Long Term Maintenance* section contains recommendations for the replacement of critical components at specific intervals to ensure the maximum service life of this equipment.

The *Drive Shaft Maintenance* section contains recommendations for the proper service intervals of the CDS drive shaft.

The *Troubleshooting* section will aid you, or your mechanic, to quickly evaluate a problem with the equipment.

The *Maintenance Log* is designed to aid you in keeping track of the maintenance you have performed on your machine.

**Important:** Record the date and machine hours on the maintenance log. We have provided a maintenance log for your convenience at the end of this section. *Records of maintenance must be kept and copies may be required to be furnished to HydraMaster before the warranty is honored.* It is recommended that you affix a copy of the Log on the vehicle door near your unit for convenience and to serve as a maintenance reminder.

## OPERATIONAL MAINTENANCE

This section contains recommendations for maintenance that will affect the service life of your unit.

◆ CAUTION ◆

HydraMaster recommends that you follow the vehicle maintenance schedule as stated by the manufacturer. All Hydramaster references to vehicle maintenance serve as general reminders on when your vehicle should be serviced. If there are any questions regarding the servicing of your van please contact your local vehicle dealership.

### DAILY:

- Check engine oil level.
- Inspect garden hose screen. Clean as needed.
- Empty waste tank inlet filter.
- Visually inspect machine for loose wires, oil leaks, water leaks, etc.
- Inspect vacuum tank s/s filter and garden hose inlet screen for clogging or damage. Clean, repair or replace as needed.
- Inspect and clean the vacuum slot on the cleaning wand. Watch for sharp edges that may tear the carpet, remove any sharp edges as required.
- Lubricate blower with an oil-based lubricant through blower inlet.
- Perform freeze guard procedure as weather dictates

### WEEKLY:

- Check around vehicle and CDS unit for any evidence of oil/fluid leaks.

◆ CAUTION ◆

Grease, oil, antifreeze, and debris build-up near hot equipment, such as the vehicle engine exhaust system or the CDS blower exhaust system, can present a fire hazard.

- Check high pressure pump oil. Add as necessary.
- Check pump drive belts for wear.
- Check pump pulleys.
- Check internal machine high pressure water lines for wear or chafing.
- Remove the stainless steel blower inlet filter inside the recovery tank and thoroughly clean, removing all lint build-up. Inspect for damage and reinstall.
- Remove the filter screen from the garden hose inlet fitting. Thoroughly clean and reinstall.
- Empty chemical from the chemical container. Wash out thoroughly to remove any chemical build-up.
- Inspect vacuum relief valve. Clean and lubricate as necessary.
- Inspect all external solution hoses, vacuum hoses, and quick connects for wear or damage that may cause premature failure, replace as needed.
- Clean vacuum tank thoroughly with high pressure washer.
- Flush water and chemical system with 50/50 white vinegar solution.
- Check vehicle engine rpm on CDS tachometer.

Chevy: 1400 to 1600 RPM (Engine)

Dodge: 1550 to 1750 RPM (Engine)

Ford: 1400 to 1600 RPM (Engine)

## MONTHLY:

- Change engine oil.
- Check engine air cleaner filter. Clean as necessary.
- Clean battery connections as needed.
- Grease drive shaft u-joints. Inspect for wear.  
(See Drive Shaft Maintenance at the end of this chapter.)

**QUARTERLY:**

- Change oil in blower.
- Change oil in pump.
- Grease blower bearing fittings.
- Check the vehicle fuel lines for any chafing or wear, especially in the engine compartment or near any rotating parts.
- Check the CDS wiring harness for any chafing or wear, especially in the vehicle engine compartment or near any rotating parts.
- Check the vehicle wiring harness for any chafing or wear, especially in the vehicle engine compartment or near any rotating parts.
- Check CDS blower mounting fasteners, drive shaft clamping collar fasteners, and CDS front end component fasteners, tighten as needed.
- Grease the drive shaft spline if so equipped.
- Grease the power pack pillow block bearings.

**YEARLY:**

- Give truck complete vehicle service.
- Flush the truck's cooling system. Add new anti-freeze.
- Change the truck's transmission fluid.

**AS REQUIRED:**

**DE-SCALING**

Scale deposits on the interior of the heating system can cause a noticeable loss in heating performance. Deposits of this kind result from hard water deposits, excessive chemical use, improper chemicals, etc. The frequency with which de-scaling procedures are required will vary. If your area has particularly hard water or you see evidence of deposits in the water system, you may have to de-scale monthly.

To de-scale your system, add an appropriate de-scaler chemical to your mix tank. Circulate it through the heating system. Let it stand. Flush and repeat as necessary. Clean all screens and strainers, and check them frequently following de-scaling.

**Note:** If you are using T.M. DeScaler through the flow meter, make sure to run clean water through the flow meter after this procedure



## OVERALL MACHINE MAINTENANCE

Maintaining the original appearance of your unit is important for two reasons:

1. It represents a big dollar investment for your cleaning business and its appearance should reflect that fact. A dirty machine is not professional.
2. Maintenance, troubleshooting, and repair is much easier to accomplish on a clean, well maintained unit. Regular cleaning of the machine offers you an opportunity to visually inspect all facets of the machine and spot potential problems before they occur.

The following maintenance is recommended by the manufacturer at the frequency indicated:

### DAILY:

- Wipe machine down thoroughly with a damp cloth.
- Flush recovery tank out thoroughly.
- Clean wand to maintain original appearance.
- Wipe down vacuum and high pressure hoses as needed.
- Visually inspect hoses for cuts, etc.

### WEEKLY:

- Wipe down entire unit as needed.
- Apply good coat of auto wax to all painted surfaces inside and out.
- Thoroughly clean wand and inspect for clogged jet, debris in vacuum slot and leaking fittings at valve.
- Apply light coat of auto wax to wand.
- Thoroughly clean vacuum and high pressure hoses including hose cuffs.

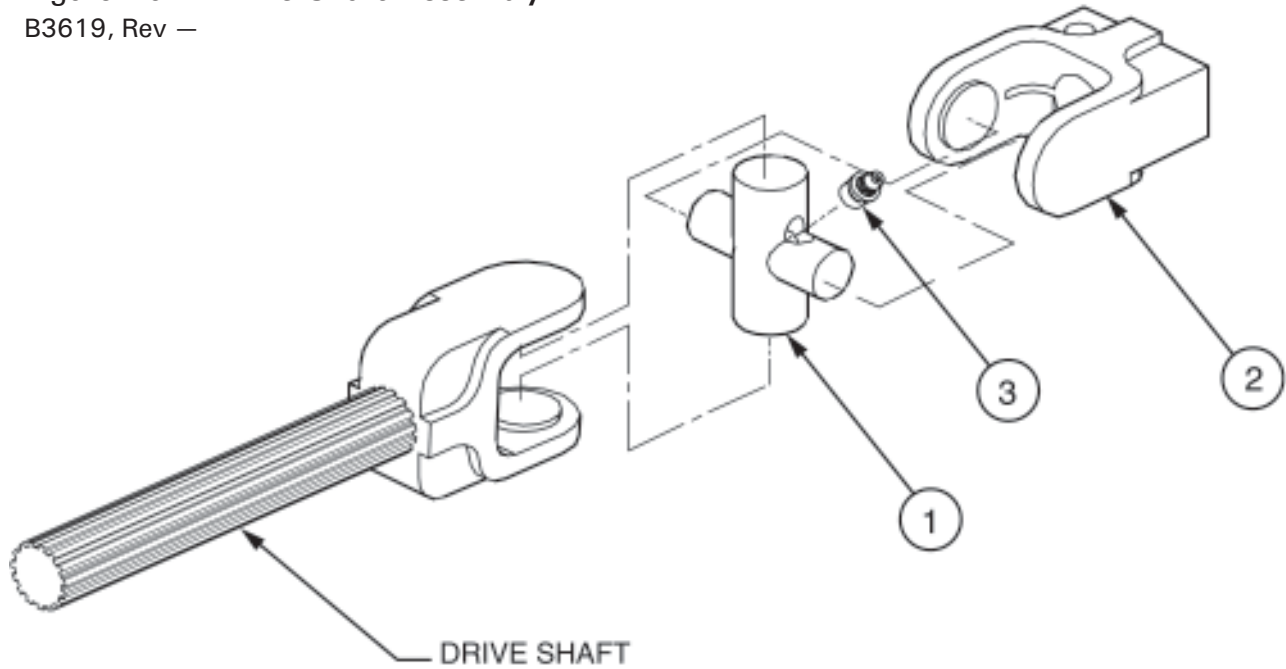
# *Long Term Maintenance Schedule*

The following components or systems should be serviced or replaced at the specified intervals.

<u>Component</u>	<u>Interval</u> (Interval is in Machine hours / months of service)
High pressure water pump rebuild .....	2000/24
Vehicle engine thermostat .....	2000/24
Vehicle engine accessory drive belt .....	2000/24
CDS clutch .....	3000/36
CDS drive shaft .....	3000/36
CDS blower silencer and exhaust plumbing .....	4000/48
CDS and vehicle heater hoses .....	4000/48
CDS wire harness .....	4000/48
CDS clutch housing drive bearings .....	4000/48

# Drive Shaft Maintenance

Figure 10-1 Drive Shaft Assembly  
B3619, Rev —



ITEM	PART NO	DESCRIPTION	QTY
1	039-015	Replacement U-Joint for CDS Drive Shaft	1

## LUBRICATE ZERK FITTINGS

Apply grease to zerk fittings (item 3) at clutch and at blower flange U-joints every **100** operating hours.

**Note:** HydraMaster flexible drive shaft assemblies have two universal joints, one on either end of the drive shaft. The above mentioned lubrication interval refers to both universal joints.

## Troubleshooting

### SECTION I. HEATING SYSTEM

#### 1.0. Vehicle overheats and shuts off CDS

1.1. **The high-temperature shutdown switch has activated or is faulty.** Unplug the 219 degree hi-temperature shutdown sensor from the top coolant heat exchanger see if the machine starts. If it does start, inspect the vehicle cooling system for the following:

1.1.1. **Low coolant level in the vehicle.** Check coolant level of the truck to make sure it is full, including the overflow bottle. If coolant level is low, check hoses, fittings, water pump and radiator cap for leaks. Repair or replace as necessary. **Note:** When adding coolant to the system, do not mix green antifreeze with the DEXCOOL (pink) antifreeze. Severe damage to the cooling system will result.

1.1.2. **The vehicle engine fan clutch is faulty.** Refer to vehicle dealer for repair.

1.1.3. **The thermostat in the vehicle engine is faulty.** Refer to vehicle dealer for repair.

1.1.4. **The vehicle radiator is plugged.** Refer to vehicle dealer for repair.

1.1.5. **The vehicle water pump is faulty.** Refer to vehicle dealer for repair.

#### 2.0. Unable to achieve normal cleaning temperature

2.1. **There is hard water or chemical build-up in the heat exchangers.** This will not allow the heat to transfer properly. Descale and flush as necessary.

2.2. **Cleaning solution flow is too great.** Measure flow at tool.

2.2.1. **The jet in the cleaning tool is too large or worn out.** Test the tool for water flow and replace or repair jet as necessary.

2.2.2. **Cleaning solution pressure is too high.** Adjust pressure to normal. Inspect pressure gauge for accurate reading.

2.3. **The SALSA X2 system thermal valve is stuck open.** Remove recovery tank lid and check for premature flow from thermal valve hose at tank. The machine must be at or below normal operating temperature for this test. Replace or repair as necessary.

*2.4. The CDS is being operated at too low RPM or too low vacuum setting. The SALSA X2 system must be at full operating RPM and full vacuum load to achieve full operating temperature. These values must be set per manufacture's specifications. Adjust vacuum or RPM as necessary.*

### **3.0. System attains normal heat but drops off sharply**

*3.1. Solution flow at cleaning tool is too high. Orifice in tool is too large or worn out. Test flow of tool. Repair or replace as necessary.*

*3.2. RPM of machine is set too low. Adjust as necessary.*

*3.3. Recirculation orifice from hi-pressure outlet manifold plugged, giving incorrect reading at gauge. Clean filter screen and inspect orifice. Clean or replace as necessary.*

*3.4. Cleaning solution pressure is too high. Adjust pressure to normal. Inspect pressure gauge for accurate reading.*

## **SECTION II. MISCELLANEOUS**

### **1.0. Vehicle radiator overflows into coolant overflow container while machine is in use.**

*1.1. Internal leak in coolant heat exchanger. Pressure test each heat exchanger separately to determine which heat exchanger is faulty. This process requires heated water and high pressure to simulate the same conditions that are causing the leak. Refer to qualified service technician if necessary.*

### **2.0. Vehicle overheats**

*2.1. Faulty thermostat in van. Refer to dealer*

*2.2. Faulty water pump on van. Refer to dealer*

*2.3. Faulty radiator (plugged) limited water flow. Refer to dealer*

*2.4. Faulty fan clutch, limited air-flow. Refer to dealer*

## CDS 4.6/4.8 MAINTENANCE LOG

MAX HRS	DAILY SERVICE	OIL RECOMMENDATIONS						
8	ENGINE OIL - check	BLOWER	40 weight non-detergent					
8	GARDEN HOSE SCREEN -inspect, clean	PUMP	5 - 30 weight synthetic motor oil					
8	MACHINE - general inspection	ENGINE	See vehicle owners manual for recomendations.					
8	VACUUM TANK INLET FILTER - clean							
8	BLOWER INLET - spray with lubricant							
	WEEKLY SERVICE	DATE & HOURS						
25	VEHICLE/CDS- check for leaks							
25	PUMP OIL - check							
25	BELTS & PULLEYS - check for wear							
25	HIGH PRESS. LINES-INTERNAL - check for chafing							
25	BLOWER INLET FILTER - remove and clean							
25	GARDEN HOSE SCREEN -inspect, clean							
25	CHEMICAL CONTAINER- remove & clean							
25	VAC. RELIEF VALVE - inspect, clean, lube							
25	VACUUM TANK - clean							
25	CHEMICAL SYSTEM - flush with vinegar							
25	ENGINE RPM- check with CDS unit operating							
25	FLOAT SWITCHES - check for debris							
	MONTHLY SERVICE							
100	ENGINE OIL - change							
100	ENGINE AIR CLEANER - inspect							
100	BATTERY TERMINALS -clean as needed							
	QUARTERLY SERVICE (3 MONTHS)							
400	BLOWER OIL - change							
400	PUMP OIL - change							
400	VEHICLE FUEL LINES - check for chaffing or wear.							
400	CDS WIRING HARNESS - check for chafing or wear							
400	VEHICLE WIRING HARNESS - check for chafing or wear							
400	CDS FASTENERS - check blower, drive shaft, front end.							
400	DRIVE SHAFT - grease spline (if so equipped)							
400	BEARINGS/POWER PACK PILLOW BLOCK - grease							
400	CHEMICAL PUMP - inspect							
400	CHEMICAL PUMP DIAPHRAGM - check for wear							
400	CHEMICAL PUMP VALVES - check for wear							
400	WATER BOX FLOAT VALVE - remove stem and lubricate							
	YEARLY							
	VEHICLE - complete service							
	COOLING SYSTEM - flush							
	TRANSMISSION FLUID - change							
1,000	DRIVE SHAFT - grease U-Joints and Splines							

---

# *How to Order Parts*

*CDS 4.6/4.8*

*Section 11-1*

**T**o obtain a proper diagnosis of your malfunction, and to order warranty replacement parts or repairs, it is important that you proceed in the following manner:

## **WARRANTY PARTS ORDERS**

1. Call the local distributor where you purchased your equipment and ask for the Service Department.
2. Have the following information ready:
  - A. Equipment Model
  - B. Date of Purchase
  - C. Hours on the Unit
  - D. Unit Serial Number
  - E. Description of Malfunction
3. Once it has been determined which parts are needed to correct the problem with your machine, make arrangements with your distributor to either perform the repairs or ship the parts to you.

## **PARTS ORDERS**

Call your local distributor. In most instances, they either stock or have access to parts through a regional service center.

**EMERGENCIES**

If, for any reason, your distributor is unable to supply you with the necessary parts, they may call us and arrange for expedited shipping.

HydraMaster sells parts only through authorized distributors and service centers.

**ONE FINAL NOTE**

Any questions you have regarding the warranty program should be directed to the Customer Service Department at (425) 775-7275, 8 a.m. to 5 p.m. Monday through Friday (PST).

We shall always endeavor to be fair in our evaluation of your warranty claim, and shall provide you with a complete analysis of our findings.

HydraMaster warranty covers only defective materials and/or workmanship for the periods listed. **Labor and/or diagnostic reimbursement is specifically excluded.**



---

# Warranty Information

CDS 4.6/4.8

Section 12-1

To avoid misunderstandings which might occur between machine owners and manufacturer, we are listing causes of component failure that specifically voids warranty coverage. Such causes as listed below shall constitute **abuse** or **neglect**.

## **BLOWER:**

- Failure to lubricate impellers daily with an oil based lubricant.
- Failure to lubricate bearings as recommended in blower manual.
- Failure to maintain proper oil levels in the blower.
- Failure to use the correct oil grade and viscosity as recommended in blower manual.
- Failure to properly maintain blower safeguard systems such as waste tank filter screen, vacuum safety relief valve and waste tank automatic shut-off system.
- Allowing foam to pass through blower.

## **HIGH PRESSURE WATER PUMP:**

- Failure to maintain proper oil level as recommended in pump manual.
- Failure to change oil in pump at recommended intervals.
- Failure to protect pump against freezing.
- Failure to maintain pump protection shut-off system.
- Failure to use water softener in hard water areas.
- Use of improper chemicals.

## **VACUUM TANK:**

- Failure to properly maintain filtering devices in tank.
- Failure to clean tank as recommended by manufacturer.
- Failure to maintain vacuum safety release in tank.
- Use of improper chemicals.

**CHEMICAL SYSTEM:**

- Use of improper chemical.
- Failure to use water softener in hard water area.
- Operating machine without proper chemical filter screen.
- Failure to protect against freezing.

**CONTROL PANEL:**

- Failure to protect flowmeter and water pressure gauge against freezing.

**VACUUM AND SOLUTION HOSES:**

- Failure to protect hoses against freezing.
- Failure to protect hoses against burns from engine and blower exhaust.
- Damage to hoses from being run over by vehicles.
- Kinking or cracking from failure to store or unroll hoses correctly.
- Normal wear and tear from everyday use.

**CLEANING WAND:**

- Failure to protect against freezing.
- Obvious physical abuse of wand.

**WATER HEATING SYSTEM:**

- Over-pressurization of the system (recommended maximum working pressure-1,000 PSI).
- Failure to protect against freezing.

**HARD WATER DEPOSITS:**

- Failure to use or maintain a water softening system or a properly installed magnetic-type de-scaler, whichever might be necessary, with machines operating in designated "Hard Water Areas" (3.5 grains or more per gal lon).

## WARRANTY PROCEDURE

Warranty coverage is available to you through *your local Distributor*.

If you have moved to a new area or have purchased a used machine and need information regarding your local distributor, call HydraMaster at (425) 775-7272 or email us at [custsvc@hydramaster.com](mailto:custsvc@hydramaster.com).

When calling your distributor, be sure to have the machine's information; model and serial number, ready for the service representative.

**IMPORTANT:** HydraMaster's warranty policy provides replacement parts without charge for thirty (30) days to distributors maintaining current account status. An invoice will be sent to the distributor for the amount of the parts sent. The customer's faulty parts **must be** returned for evaluation prior to the expiration of the thirty (30) day period. Upon warranty approval, a credit will be issued the distributor for the replacement parts invoice. **Warranty disapproval or failure to return the faulty parts within the thirty (30) day period allowed will result in the customer being charged for the replacement parts sent.**

## FOR YOUR REFERENCE:

Model No. \_\_\_\_\_

Serial No. \_\_\_\_\_

Date of Purchase: \_\_\_\_\_

Purchased From (Distributor): \_\_\_\_\_

---

# Accessories

*CDS 4.8*

*Section 13-1*

## **Genuine HydraMaster Accessories & Detergents**

**T**his section of your Owners Manual is devoted to Accessories and Detergents which we have found to be helpful and useful. *These products can enhance your cleaning and reduce your labor costs!*

HydraMaster Machine accessories are the most innovative collection available in the cleaning industry. Our patented **RX-20 Rotary Extractors** have changed the shape of steam cleaning. Our hoses and tanks are of the finest quality construction.

**SafeClean Detergents** have been specially prepared, not only to give you exceptional cleaning, but also to optimize your truckmount's operation and reliability. *Most detergents don't work well under the high heat, high pressure conditions of truckmount use.* **SafeClean** will maintain your machines's water pump and water heating systems at peak efficiency and help ensure fewer breakdowns.

***For more information, or to order Genuine  
HydraMaster Accessories and Detergents  
Call your nearest authorized HydraMaster Distributor.***

---

# *Product Support Bulletins*

*CDS 4.6/4.8*

*Section 14-1*